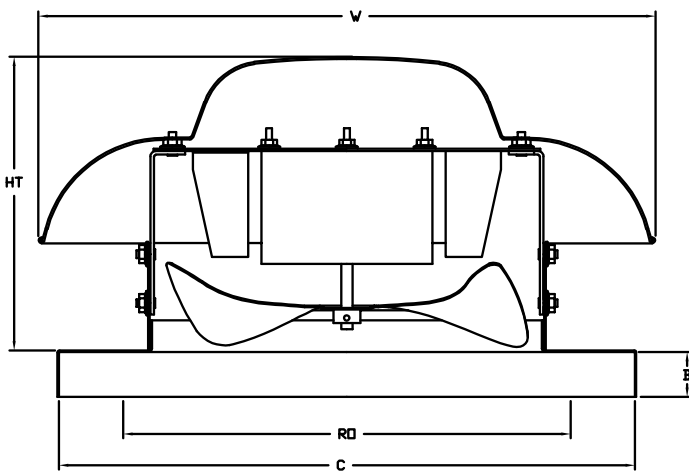




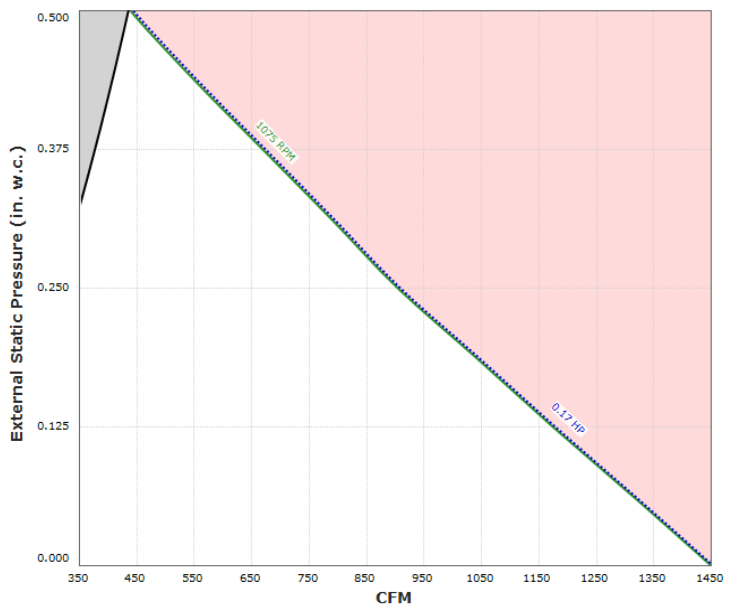
AQD-14

Supply Ventilator Roof or Wall Mounted/Direct Drive



DMUA ECONOMY MAKE-UP AIR UNITS DIMENSIONAL DATA

MODEL	HT	W	B	C	RO	WEIGHT (LB)
AQD-14	12 5/8	27 5/16	2	21	16	45



Model	HP	RPM	TS	Static Pressure in Inches W.G.				
				0.000	0.125	0.250	0.375	0.500
DMUA14	1/6	1100	4030	1450	1174	904	670	439

