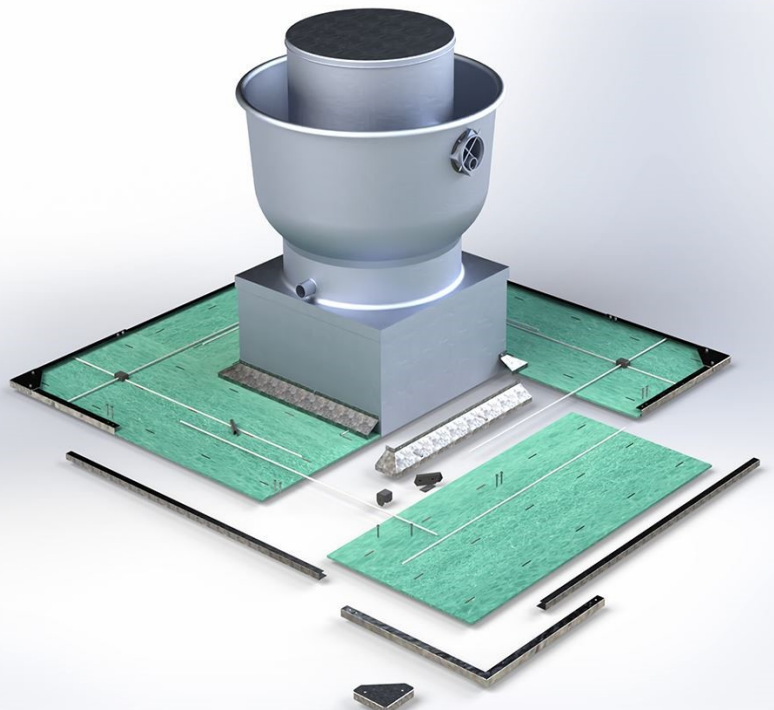




ROOFTOP GREASE CONTAINMENT

Complete custom solutions for every application!

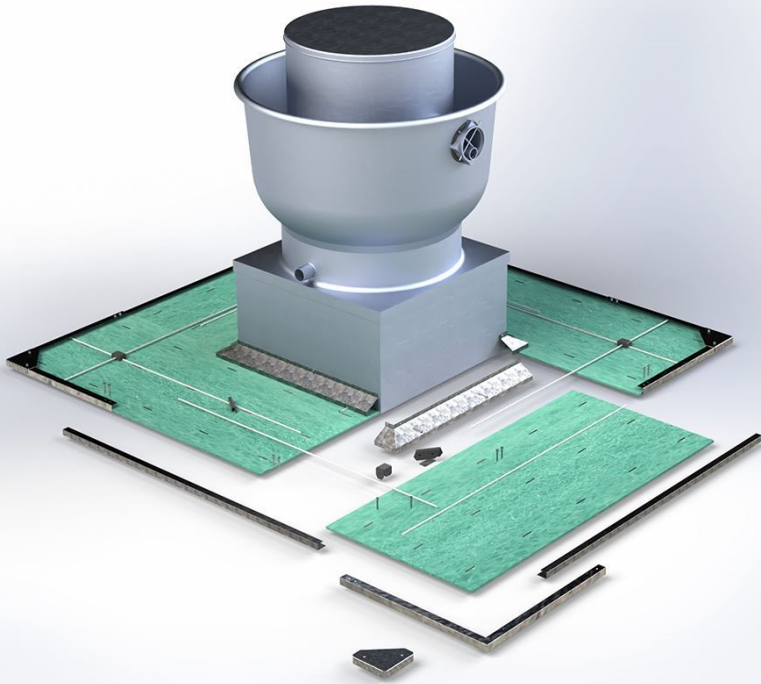


INDEX

DRIPLOC 360° 24”	3
DRIPLOC 360° 12”	4
DRIPLOC GREASE CONTAINMENT SYSTEM	5
DRIPLOC REPLACEMENT FILTERS	6
METAL GREASE BOXES	7-8
GREASE TERMINATOR 2	9
ACCESSORIES	10

DRIPLOC RT 360 GREASE CONTAINMENT SYSTEM

22-BB1500 & REPLACEMENT FILTER 22-CC1200



24" 22-BB1500

BB1500 Driploc RT360 Grease Containment System Model # 4424/3-34 (24" Coverage off the fan curb)

The Rooftop 360 Grease Containment System is revolutionizing the rooftop system market. Simple expandable "Flex Frame" design fits fan curbs ranging from 3"- 34" in diameter. System provides 24" of rooftop surface protection around the fan.

Kit comes complete with all components needed to install.

See below for Replacement Filter Information

The DRIPLOC RT 360 System 24"W X 58"L filter section which fits not only the DRIPLOC RT 360 Grease Containment System Model #4424 but also retrofits other OEM systems.

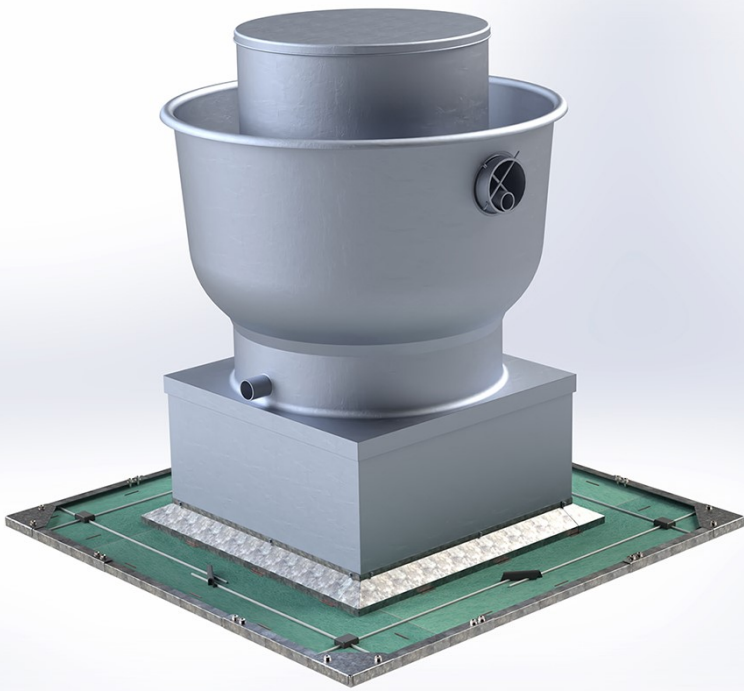
Full set replacement = 4 filters



22-CC1200

DRIPLOC RT 360 GREASE CONTAINMENT SYSTEM

22-BB1550 & REPLACEMENT FILTER 22-CC1250



12" 22-BB1550

BB1550 Driploc RT360 Grease Containment System Model # 4412/27-65 (12" Coverage off the fan curb)

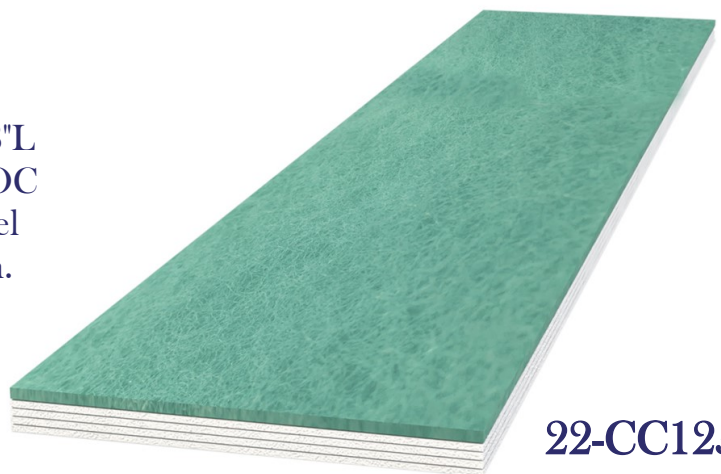
The Rooftop 360 Grease Containment System is revolutionizing the rooftop system market. Simple expandable "Flex Frame" design fits fan curbs ranging from 27" - 65" in diameter. System provides 12" of rooftop surface protection around the fan curb.

Kit comes complete with all components needed to install plus 4 replacement filters for a total of 8 filters with initial purchase.

See below for Replacement Filter Information

The DRIPLOC RT 360 System 12"W X 58"L filter section which fits not only the DRIPLOC RT 360 Grease Containment System Model #4412 but also retrofits other OEM system.

Full set replacement = 4 filters



22-CC1250

DRIPLOC GREASE CONTAINMENT SYSTEM

LOW VOLUME

22-BB1100



The **Low Volume** Grease Containment System is designed for exhaust fans that don't create a significant amount of grease. The LV Box System has the custom manufactured grease pillow inside the box. After installation, only the grease pillow needs to be replaced depending on the amount of grease discharged by the fan.

The **4 inch** Rack Grease Containment System is perfect for most standard volume exhaust fans. The rack has a built-in drain that allows water to pass through the system at a high volume. After the initial installation of the rack system, only the grease pillow needs to be replaced.

Uses: (1) 22-CC1000 Replacement filter

4" 22-BB1200



The **7 inch** Rack Grease Containment System is designed for exhaust fans that produce a **high volume** of grease output. The 7 inch Rack System is versatile, easy to install, and adapts to various exhaust fans. The custom manufactured filter, or "pillow", fits inside the rack. The rack has a built-in drain that allows water to pass through the system at a high volume. After the initial installation of the rack system, only the two (2) grease pillows need to be replaced.

Uses: (2) 22-CC1000 Replacement filter

7" 22-BB1300



DRIPLOC GREASE CONTAINMENT SYSTEM REPLACEMENT FILTERS

LOW VOLUME 22-CC1100

The DRIPLOC Oil Only Peat Pillow Low Volume Filter is used with the Driploc Low Volume Systems but is also a great solution when retrofitting a filter with almost every manufacturer's factory installed boxes. Non-leaching oil absorbent is perfect for catching and containing spills.

Replacement filter for LV 22-BB1100

The DRIPLOC Oil Only Peat Pillow Standard Filter is used with the Driploc 4" and 7" Rack Systems. Non-leaching oil absorbent is perfect for catching and containing spills.

Replacement filter for:

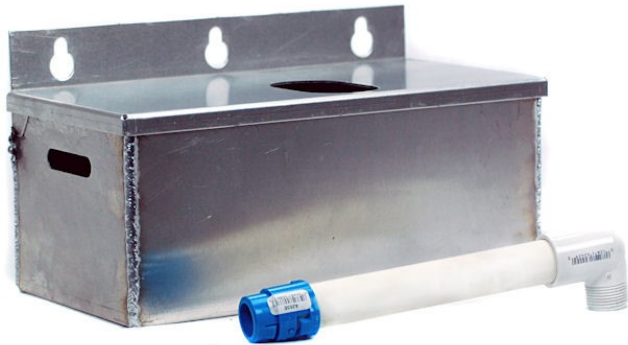
22-BB1200 uses 1 filter

22-BB1300 uses 2 filters

22-CC1000

Grease filters are normally changed after each exhaust fan cleaning, however, grease exhaust volume will dictate changing

METAL GREASE COLLECTION BOXES



KEYWAY METAL GREASE BOX

12-9070

All aluminum construction. Installs quickly and easily. Does not require filters but needs to be periodically cleaned out.

Includes PVC drain Tube.

METAL GREASE BOX

12-9075

Metal exhaust fan grease box for roof top units. Mounts quickly and easily to the curb with screws. Suitable for use with standard rooftop upblast grease exhaust fans.

Mounting hardware not included.



S/S GREASE LOW PROFILE FOR FOOD TRUCKS

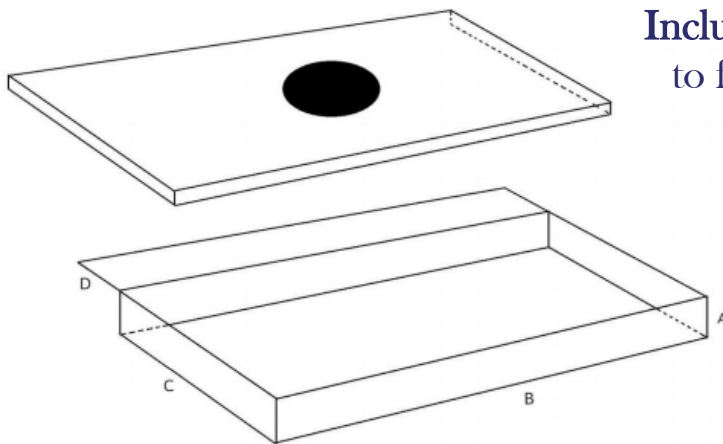


S/S FOOD TRUCK GREASE BOX

12-9090

Low profile stainless steel grease box, ideal for food truck application

Includes: Mounting hardware for mounting to fan base & curb, grease filter pillow & PVC drain Tube.



MODEL #	A	B	C	D
12-9090	2	18	8	2

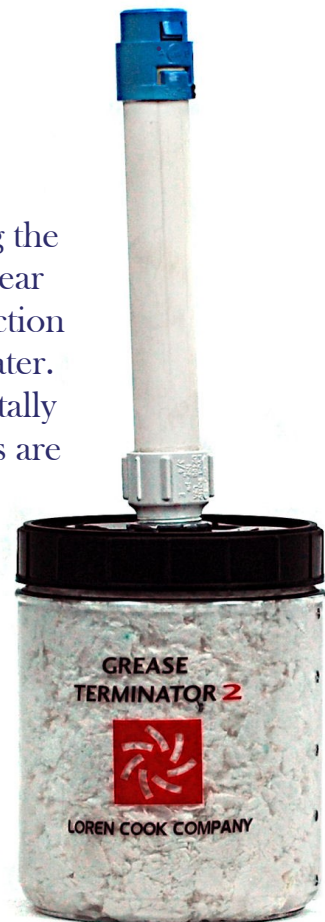
GREASE TERMINATOR 2

GREASE TERMINATOR 2 COMPLETE - ROOFTOP 12-9050



Captures and prevents grease from reaching the rooftop or other areas. The durable and clear plastic container allows for easy visual inspection of grease buildup. Separates grease from water. Easy to install and easy to use. Environmentally friendly. Safe for employees. No chemicals are used.

GREASE TERMINATOR 2 COMPLETE - WALLMOUNT 12-9055



GREASE TERMINATOR 2 REPLACEMENT CANISTER 12-9060



ACCESSORIES



G-TUBE FOR GREASE TERMINATOR 2 CANISTERS

12-GTUBE

PVC drain Tube replacement.

METAL DRAIN TROUGH

12-9071

FOR GREASE EXHAUST FANS

8" LONG

(mounting hardware not included)





CONTACT US

SALES REP: TAMELA HALL

CALL: 404-351-6442

E-MAIL: TAMELAHALL@PDIATLANTA.COM

3128 NIFDA DR SE

ATLANTA, GA 30339

WWW.PDIATLANTA.COM



VISIT US

GPS:

3128 NIFDA BLVD

ATLANTA, GA 30339

