

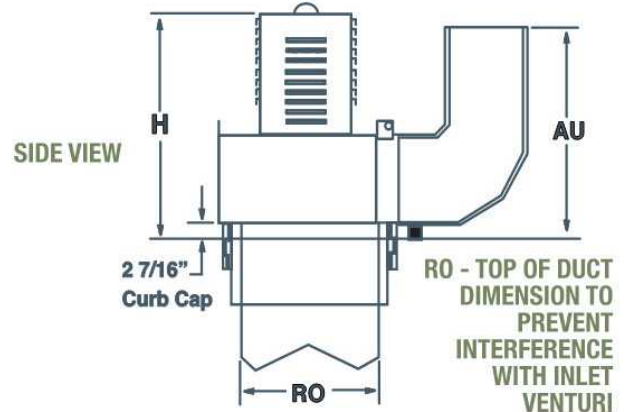
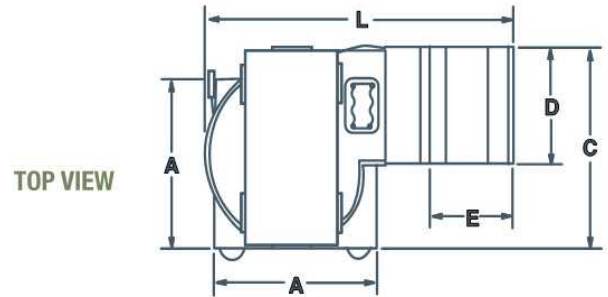


**CANARM**  
HVAC

ROOF MOUNT VENTILATION  
**DELTA**

# HRE-16

HORIZONTAL RESTAURANT EXHAUSTER



MODEL	A	CURB	AU	D	E	H	L	RO	SHAFT
HRE-16	25-1/2"	24-1/2"	31-1/2"	17-7/8"	13-1/4"	34-1/4"	48-11/16"	21-5/16"	1-3/16"

- UL762 Listed for the removal of cooking vapors
- Meets NFPA-96 Installation guidelines
- Convenient hinged curb mounting
- Clean-out access door
- Fully welded, 16 gauge or heavier blower housing c/w shaft seal to eliminate grease leakage
- 2 inch drain connection
- Pillow block ball bearings
- Upblast discharge directs exhaust away from roof
- Heavy duty, backward inclined non-overloading wheel