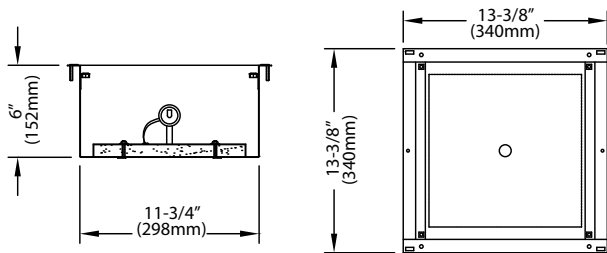
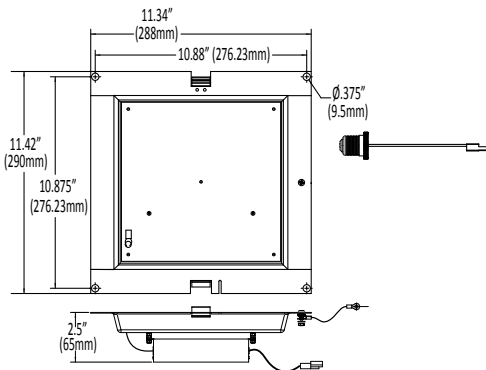


Flame Gard® LED Light For Exhaust Canopy Hoods

LED-L87-100x-30N

- LED-L87-1004-30N 4 Mounting Studs
- LED-L87-1008-30N 8 Mounting Studs



Dimensions shown in inches (mm) are for reference only and are subject to change.

Power = 30 W
 Voltage = 100-277 VAC
 Current = 0.30-0.11 Amp.
 Frequency = 50/60 Hz

Warranty - 5 year

Low profile, high output, energy efficient LED lights

Approved for use in non-dwelling applications

Specifically designed for commercial cooking hoods

- Listed for up to 75°C (167°F) operation
- 3270 lumens output
- Color Rendering Index > 80
- Meets all requirements of NFPA 96 and NEC 410
- NSF Listed, RoHS Compliant

Environmentally friendly, energy efficient

- LED lamps contain no mercury or other hazardous materials
- Contributes to LEED® energy use reduction credits
- 50,000 hour lamp life

Bright, focused light

- Highest efficacy per watt (100 lumens/watt) available - Exceeds Federal Energy Act requirements
- Instant on, no ballast to warm up
- No ultraviolet rays: Does not attract insects

Low profile

- Recess mount installation
- Only 6" high for limited clearance applications

Attractive design

- One piece satin finish stainless steel trim
- Tempered, prismatic glass diffuser

Power Efficient Driver

- Input power consumption: 30w
- Current: 0.30 - 0.11Amp
- Output power to retrofit light: 29W

Specifications

Model	Mounting Studs	Color Temperature	Lumens/Watts	Kelvins	Total Light Output
LED-L87-1004-30N	4	Natural	100	4000	3270 Lumens
LED-L87-1008-30N	8				

Note: Other color temperatures upon request.

Do not use with dimmers.

L87 luminaires - Rated for wet locations.

