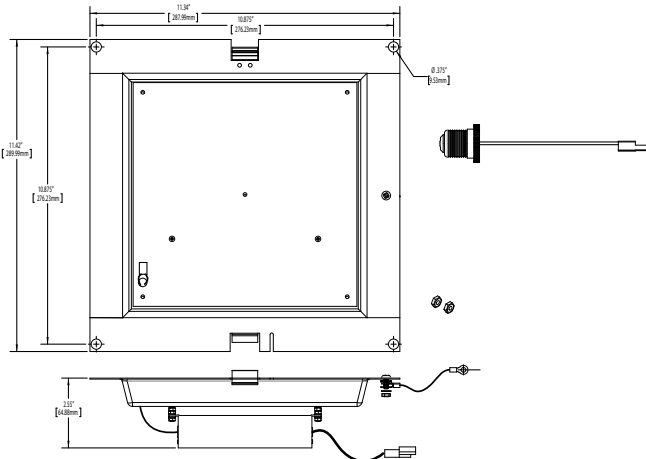
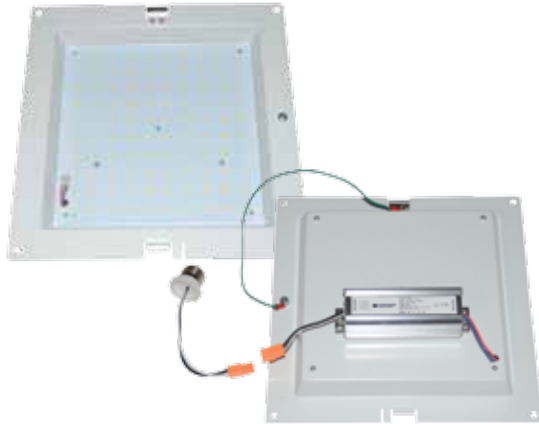
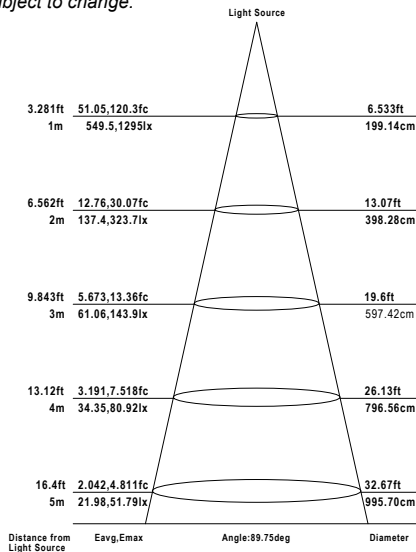


Flame Gard® LED Retrofit Light -  
May Be Installed in L87 Luminaire Models  
For Exhaust Canopy Hoods  
**LED-L87-1030N**



Dimensions shown in inches (mm) are for reference only and are subject to change.



Low profile, high output, energy efficient LED lights

**Approved for use in totally enclosed luminaires**

**Specifically designed for retrofit in commercial cooking hoods utilizing L87 fixtures**

- Listed for up to 75°C (167°F) operation
- 3860 lumens output
- Color Rendering Index > 80
- Meets all requirements of NFPA 96 and NEC 410
- NSF Listed, RoHS Compliant

**Environmentally friendly, energy efficient**

- HACCP Compliant – LED lighting runs cooler than old incandescent and fluorescent fixtures, helping you to better control food temperatures in your refrigerators/coolers/freezers. In addition, LED lights do not contain harmful mercury, like fluorescent fixtures, eliminating a potential chemical hazard in your workplace.
- Contributes to LEED® energy use reduction credits
- 50,000 hour lamp life

**Bright, focused light**

- Highest light output per watt (109 lumens/watt) available - Exceeds Federal Energy Act requirements
- Instant on, no ballast to warm up
- No ultraviolet rays: Does not attract insects

**Low profile**

- Minimum lamp compartment for enclosure of the retrofit light: 29.5 cm (L) x 29.5 cm (W) x 14 cm (H)
- Only 6" high for limited clearance applications, when fitted inside L87 recessed canopy hood light fixture

**Power Efficient Driver**

- Input power consumption: 30w
- Current: 0.25A @ 120VAC
- Output power to retrofit light: 29W

**Specifications**

Model	Color Temperature	Lumens/Watts	Kelvins	Total Light Output
LED-L87-1030N	Natural	109	4000	3860 Lumens

Note: Other color temperatures upon request.

Do not use with dimmers.

Retrofit light - Dry/damp locations, no direct exposure to water.

Power = 30 W  
Voltage = 100-277 VAC  
Current = 0.30-0.11 Amp.  
Frequency = 50/60 Hz

Warranty - 5 year

