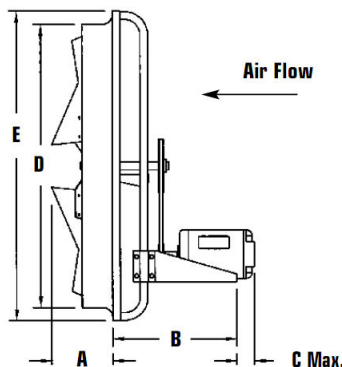




# Wall Propeller Fans Belt Drive



MODEL #	T Square	H.P.	Fan RPM	Fan Wt.	CFM Static Air Flow Chart			
					0.0"	0.125"	0.25"	0.375"
WPF24-25	28	1/4	650	100	5120	4195	2160	
WPF24-33	28	1/3	710	100	5595	4775	2830	1650
WPF24-50	28	1/2	835	100	6580	5910	4970	3100
WPF24-75	28	3/4	945	100	7445	6870	6200	4800
WPF30-25	34	1/4	470	140	6895	4950		
WPF30-33	34	1/3	500	140	7335	5605	2320	
WPF30-50	34	1/2	585	140	8585	7305	4750	
WPF30-75	34	3/4	670	140	9830	8805	7120	4130
WPF30-100	34	1	720	140	10565	9615	8205	5945
WPF36-25	40	1/4	415	155	10160	7590		
WPF36-50	40	1/2	485	155	11875	9915	5045	
WPF36-75	40	3/4	540	155	13220	11490	8565	4215
WPF36-100	40	1	605	155	14815	13300	11415	6600
WPF36-150	40	1 1/2	660	155	16160	14805	13215	10400
WPF42-50	46	1/2	380	185	14515	11040		
WPF42-75	46	3/4	430	185	16425	13670	6645	
WPF42-100	46	1	460	185	17570	15045	8350	4855
WPF42-150	46	1 1/2	535	185	20435	18345	15480	8530
WPF48-50	54	1/2	315	200	17060	10790		
WPF48-75	54	3/4	370	200	20040	15900	6450	
WPF48-100	54	1	400	200	21665	18120	8860	3465
WPF48-150	54	1 1/2	450	200	24375	21345	15700	7640
WPF48-200	54	2	470	200	25455	22575	17615	9275
WPF48-300	54	3	500	200	29559	27362	24916	21812



FAN MODEL	Prop Diameter	A	B	C	D	E
WP24	24	5	16	2 1/4	24 3/8	28
WP30	30	6	16	2 1/4	30 1/2	34
WP36	36	8	16	2 1/4	36 1/2	40
WP42	42	8 1/2	16	4 3/4	42 3/4	46
WP48	48	10	16	6 1/8	48 3/4	54