



## Factory Authorized Restaurant Distributor



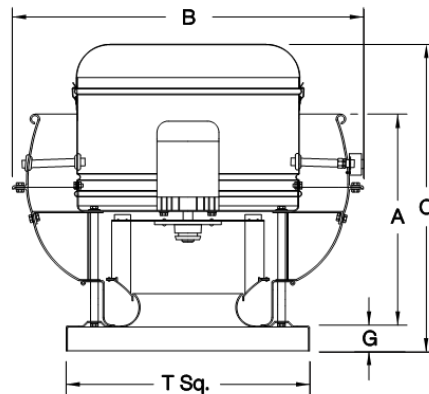
Loren Cook Company certifies that the VCRD, VCRD-HP, VCRD-XP shown herein are licensed to bear the AMCA Seal. The ratings shown are based on tests and procedures performed in accordance with AMCA Publication 211 and AMCA Publication 311 and comply with the requirements of the AMCA Certified Ratings Program.



# COOK



Type VCRD, VCRD-HP, VCRD-XP are furnished standard with UL 762 and cUL 762 listings (Power Ventilator for Restaurant Exhaust Appliances/YZHW) when furnished with factory supplied motor.



### VCRD / VCRD-HP / VCRD-XP Dimension Data

Size	A	B	C			G	T Sq.	Roof Opening Square*	Ship. Wt.
			VCRD	VCRD-HP	VCRD-XP				
100	12-1/2	25-1/4	20-3/16	-	-	2	18	13-1/2	30
120	19-1/16	30-3/16	28-1/4	-	-	2	20	15-1/2	61
135	19-1/16	30-3/16	28-5/8	-	-	2	20	15-1/2	66
150	20-15/16	34-11/16	30-1/4	27-1/2	-	2	24	19-1/2	77
165	20-15/16	34-11/16	30-3/4	27-3/4	26-11/16	2	24	19-1/2	83
180	24-13/16	39-7/16	35-7/8	33-3/8	31-9/16	3	30	25-1/2	100
195	24-13/16	39-7/16	-	33-1/2	32-1/8	3	30	25-1/2	110

All dimensions in inches. \*Roof opening size for curbs supplied by Loren Cook Company only. Weights in pounds, less motor.



Factory Authorized Restaurant Distributor



**COOK**

**100-180 VCRD**

Cat. No.	Mtr. HP	Fan RPM	Tip Speed	0.00" SP		0.125" SP		0.250" SP		0.375" SP		0.500" SP		0.625" SP		0.750" SP		0.875" SP		1.000" SP		1.250" SP		1.500" SP		
				Sone	BHP	Sone	BHP	Sone	BHP	Sone	BHP	Sone	BHP	Sone	BHP	Sone	BHP	Sone	BHP	Sone	BHP	Sone	BHP	Sone	BHP	Sone
100V10D	1/25	1050	2749	585		504		399																		
				4.7	.03	4.6	.03	4.2	.04																	
100V11D	1/4	1140	2985	635		560		479																		
				5.8	.04	5.7	.04	5.3	.05																	
100V15D	1/8	1550	4058	864		808		754		697		628		484												
				9.9	.10	9.8	.10	9.7	.11	9.4	.11	9.0	.12	8.6	.11											
100V17D	1/6	1725	4516	961		911		862		813		760		695		569										
				11.5	.14	11.5	.14	11.4	.15	11.3	.15	10.9	.15	10.5	.16	10.2	.15									
120V10D	1/6	1075	3376	1095		998		892		779																
				7.6	.08	7.6	.09	7.1	.09	6.5	.09															
120V11D	1/6	1140	3581	1161		1070		971		868		733														
				8.7	.09	8.7	.10	8.3	.11	7.7	.11	7.1	.11													
120V13D	1/4*	1300	4084	1324		1244		1161		1072		981		867												
				11.4	.14	11.4	.15	11.1	.16	10.6	.16	10.0	.16	9.4	.16											
120V15D	1/4*	1550	4869	1579		1512		1444		1372		1298		1223		1143		1047		872						
				14.9	.24	14.9	.25	14.9	.26	14.5	.26	14.2	.27	13.9	.27	13.5	.28	13.2	.28	13.0	.27					
120V17D	1/3	1725	5417	1757		1697		1637		1574		1509		1442		1374		1304		1227		946				
				17.6	.33	17.6	.34	17.6	.35	17.4	.36	17.1	.37	16.7	.37	16.4	.37	16.1	.38	15.8	.38	15.2	.36			
135V10D	1/6	1075	3795	1656		1550		1441		1324		1177														
				9.6	.14	9.6	.15	9.2	.16	8.6	.16	8.0	.16													
135V11D	1/6	1140	4029	1756		1657		1555		1447		1325		1140		1325										
				11.2	.16	11.2	.18	10.9	.18	10.3	.19	9.7	.19	9.1	.19	9.7	.19									
135V13D	1/2*	1300	4595	2002		1915		1827		1736		1640		1535		1640		1152								
				14.6	.24	14.6	.26	14.5	.27	14.0	.28	13.5	.28	12.8	.28	13.5	.28	11.8	.27							
135V15D	1/2*	1550	5478	2387		2315		2241		2167		2091		2012		2091		1841		1736		1358				
				19.0	.41	19.0	.43	19.0	.44	18.8	.46	18.4	.47	18.1	.47	18.4	.47	17.5	.48	17.1	.48	16.5	.45			
135V17D	3/4	1725	6089	2657		2592		2526		2459		2392		2323		2253		2180		2103		1922		1614		
				23	.56	23	.58	23	.60	23	.62	23	.63	23	.64	22	.65	22	.65	22	.66	21	.67	21	.64	
150V10D	1/3	1075	4225	2272		2154		2035		1910		1775		1601		1258										
				12.1	.23	12.1	.25	11.9	.26	11.4	.27	10.8	.27	10.2	.27	9.6	.25									
150V11D	1/3	1140	4477	2409		2298		2186		2071		1948		1808		1948										
				13.9	.27	13.9	.29	13.7	.31	13.3	.32	12.7	.32	12.1	.32	12.7	.32									
150V13D	3/4*	1300	5105	2747		2650		2553		2453		2351		2244		2351		1989		1791						
				18.0	.41	18.0	.43	18.0	.45	17.6	.46	17.2	.47	16.6	.47	17.2	.47	15.6	.48	15.1	.48					
150V15D	1/2*	1550	6087	3275		3194		3113		3030		2947		2862		2947		2685		2590		2365		1979		
				24	.69	24	.72	24	.74	24	.76	23	.78	23	.79	23	.78	22	.80	22	.81	21	.82	21	.79	
165V10D	1/3	1075	4644	2925		2728		2543		2359		2156		1981		1696										
				14.9	.37	14.9	.38	14.8	.39	14.4	.39	13.8	.39	13.3	.39	12.8	.39									
165V11D	1/2	1140	4924	3194		3041		2894		2753		2602		2428		2602		2050								
				16.9	.48	16.9	.50	16.9	.52	16.4	.54	16.0	.55	15.4	.55	16.0	.55	14.4	.55							
180V10D	3/4	1075	5066	4065		3936		3805		3667		3518		3344		3518		2899		2646						
				16.4	.61	16.4	.63	16.3	.65	15.6	.67	14.9	.69	14.4	.70	14.9	.69	13.6	.70	13.2	.69					
180V11D	3/4	1140	5369	4310		4189		4066		3939		3803		3653		3474		3261		3047						
				17.9	.73	17.9	.75	17.9	.77	17.2	.79	16.5	.81	15.9	.83	15.5	.84	15.2	.84	14.8	.83					

Performance certified is for Installation Type A: free inlet, free outlet. Performance ratings do not include the effects of appurtenances (accessories) in the airstream. The sound ratings shown are loudness values in fan sones at 5 ft. (1.5m) in a hemispherical free field calculated per AMCA Standard 301. Values shown are for Installation Type A: free inlet fan sone levels. \*Motor is a 2-speed 1300/1550 RPM motor.