

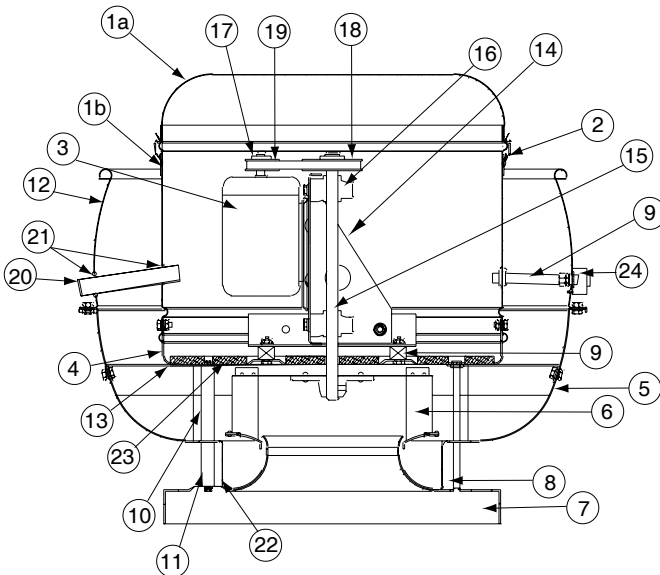


## VCR Parts Breakdown



# COOK

VCR/VCR-HP/VCR-XP Parts



Part No.	VCR/VCR-HP/VCR-XP Parts Description		
	100-225	245	270-490
1a	Top Cap Lid	Top Cap Lid	Top Cap Lid
1b	Top Cap Cylinder	Top Cap Cylinder	Top Cap Cylinder
2	Top Cap Clip (4)	Top Cap Clip (4)	Top Cap Clip (8)
3	Motor	Motor	Motor
4	Spun Motor Plate	Spun Motor Plate	Spun Motor Plate
5	Baffle	Baffle	Baffle
6	Wheel Assembly	Wheel Assembly	Wheel Assembly
7	Base	Base	Base
8	Conduit	Conduit	Conduit
9	Isolator (4)	Isolator (4)	Isolator (4)
10	Upper Post (4)	Upper Post (4)	Upper Post (8)
11	Lower Post (4)	Lower Post (4)	Lower Post (8)
12	Wind Band	Wind Band	Wind Band
13	Brace (4)	Brace (4)	Brace (8)
14	Power Assembly	Power Assembly	Power Assembly
15	Shaft	Shaft	Shaft
16	Bearing (2)	Bearing (2)	Bearing (2)
17	Drive Sheave	Drive Sheave	Drive Sheave
18	Driven Sheave	Driven Sheave	Driven Sheave
19	Belt Set	Belt Set	Belt Set
20	Vent Tube	Vent Tube	Vent Tube
21	Grommet (2)	Grommet (2)	Grommet (2)
22	—	Cut Off (HP & XP Only)	Cut Off (HP & XP Only)
23	Insulation	Insulation	Insulation
24	NEMA 3 Junction Box	NEMA 3 Junction Box	NEMA 3 Junction Box