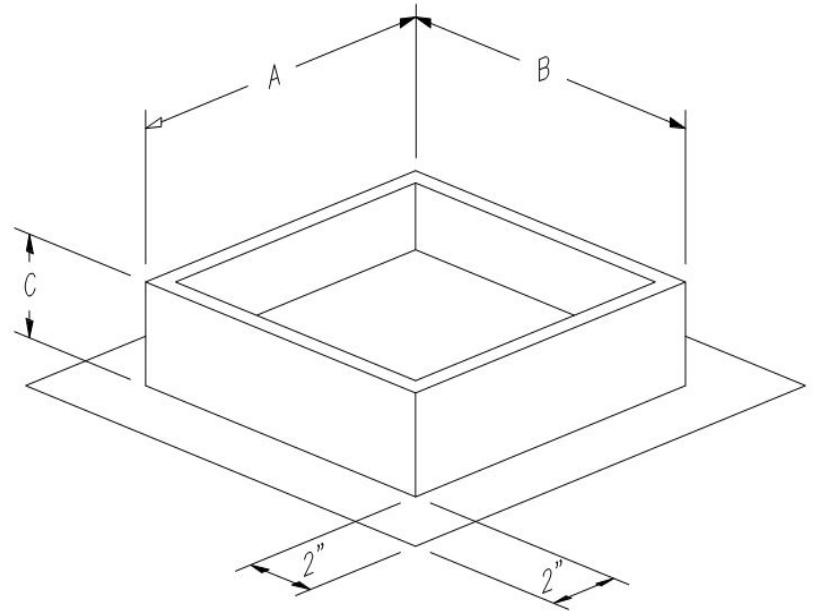


# Roof Curbs



CURB #	FAN MODEL	A	B	C	WEIGHT
RC-8	100R & V	17	17	21	22
RC-10	120 / 135 R & V	19	19	21	22
RC-15	150 / 165R & V	23	23	21	25
RC-18	180 / 190 / 225 R & V	29	29	21	29
RC-24	270R & V	35	35	21	36
RC-30	330R & V	41	41	12	42
RC-200	90C / AQD-12	17 3/4	17 3/4	8	16
RC-220	120 / 135C	19	19	8	18
RC-240	3000ED / 150C	22 1/2	22 1/2	8	20
RC-270	AQD-18	25	25	8	24
RC-280	43/4800 ED AQD-16 / SAF10	26	26	8	26
RC-300	55/6500ED	28	28	8	29
RC-330	SAF12-15 / AQD-20	31	31	8	34
RC-340	78/8800ED	32	32	8	36
RC-390	SAF18	37	37	8	38
RC-420	D1424	40	40	8	41
RC-540	D2128	52	52	8	54