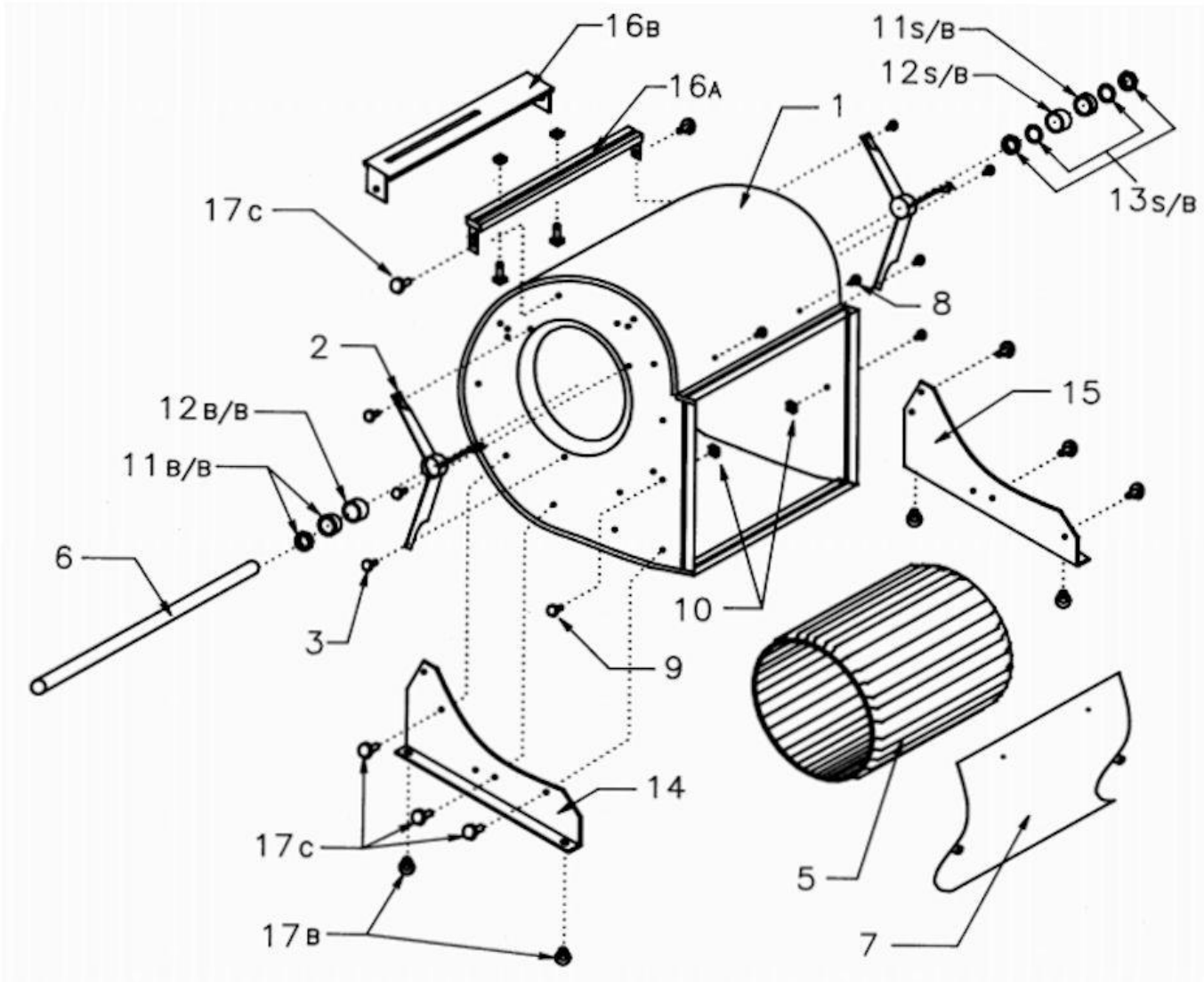
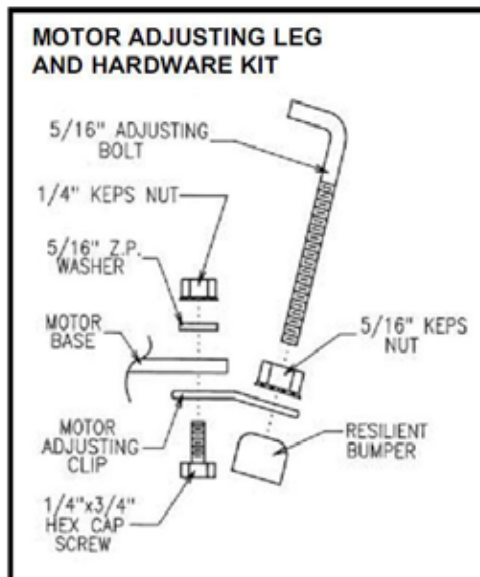




# Supply Air Replacement Parts



ITEM	DESCRIPTION
1	HOUSING
2	BEARING BRACKET
3	BEARING BRACKET FASTENER
5	WHEEL
6	SHAFT
7	CUT-OFF BAFFLE
8	BAFFLE FASTENERS A
9 & 10	BAFFLE FASTENERS B
11 B/B	BALL BEARING WITH LOCKING COLLAR
11 S/B	SLEEVE BEARING
12 B/B	BALL BEARING - RESILIENT SLEEVE
12 S/B	SLEEVE BEARING - RESILIENT SLEEVE
13 S/B	LEATHER WASHER & THRUST COLLAR
14	BASE SIDES LH
15	BASE SIDES RH
16A	MOTOR BRACKET (3/4 HP MAX)
16B	MOTOR BRACKET (2 OR 3 HP MAX)
17B	RESILIENT GROMMETS
17C	1/4 X 20 SELF TAPPING SCREWS





# Replacement Blower Parts



Blower	Description	Part #
<b>G9</b>	Sleeve bearing only 3/4" (Includes locking ring/washer)	23-8100013
	Ball bearing only 3/4" (Includes locking ring/washer)	23-8100000
	Sleeve bearing assembly 3/4" (Includes locking ring/washer)	23-6080049
	Ball bearing assembly 3/4" (Includes locking ring/washer)	23-6080002
	Keyed shaft 3/4" x 15 5/16"	23-2100391
	Base side left hand	23-3140003
	Base side right hand	23-3140004
	Motor mounting bracket	23-2180004
	Thrust collar (locking ring)	23-6000021
	Leather washer	23-8860005
<b>G10</b>	Sleeve bearing only 3/4" (Includes locking ring/washer)	23-8100013
	Ball bearing only 3/4" (Includes locking ring/washer)	23-8100000
	Sleeve bearing assembly 3/4" (Includes locking ring/washer)	23-6080050
	Ball bearing assembly 3/4" (Includes locking ring/washer)	23-6080003
	Keyed shaft 3/4" x 17 5/8"	23-2100392
	Base side left hand	23-3140008
	Base side right hand	23-3140007
	Motor mounting bracket	23-2180006
	Thrust collar (locking ring)	23-6000021
	Leather washer	23-8860005
<b>G12</b>	Sleeve bearing only 3/4" (Includes locking ring/washer)	23-8100013
	Ball bearing only 3/4" (Includes locking ring/washer)	23-8100000
	Sleeve bearing assembly (Includes locking ring/washer)	23-6080051
	Ball bearing assembly (Includes locking ring/washer)	23-6080004
	Keyed shaft 3/4" x 20 1/2"	23-2100255
	Base side left hand	23-3140012
	Base side right hand	23-3140013
	Motor mounting bracket	23-6110001
	Thrust collar (locking ring)	23-6000021
	Leather washer	23-8860005
<b>G15</b>	Sleeve bearing only 1" (Includes locking ring/washer)	23-8100015
	Ball bearing only 1" (Includes locking ring/washer)	23-8100001
	Sleeve bearing assembly 1" (Includes locking ring/washer)	23-6080005
	Ball bearing assembly 1" (Includes locking ring/washer)	23-6080008
	Keyed shaft 1" x 25"	23-2100056
	Base side left hand	23-3140014
	Base side right hand	23-3140015
	Motor mounting bracket	23-6110002
	Thrust collar (locking ring)	23-6000030
	Leather washer	23-8860006
<b>G18</b>	Ball bearing only 1" (Includes locking ring/washer)	23-8100001
	Ball bearing assembly 1" (Includes locking ring/washer)	23-6080009
	Keyed shaft 1" x 32 1/8"	23-2100054
	Base side left hand	23-3140016
	Base side right hand	23-3140017
	Motor mounting bracket	23-6110003
	Thrust collar (locking ring)	23-6000030
Leather washer	23-8860006	



Sleeve Bearing Assembly



Ball Bearing Assembly



Sleeve Bearing Only



Ball Bearing Only



Locking Ring Sleeve



Locking Ring Ball



Leather Washer