



introducing...

# Quick-Tite™ Adapters

**Quick-Tite™ Adapters by CHG are designed to prevent grease and other liquids from penetrating through the metal wall of a cooking hood or duct wherever a hole is created to accommodate fire suppression systems.**

**Quick-Tite™ Adapters make installations much faster, easier and less costly by providing a stable, weld-tight joint without the hassles or expense of actual on-site welding and polishing.**



- ▶ Provides structural support for the system piping, improving system integrity and reducing the need for additional pipe hangers.
- ▶ Available in eight standard sizes to accommodate pipe sizes from 1/4" to 1-1/2" pipe.
- ▶ All Quick-Tite™ Adapters are pressure tested to 5000 psi
- ▶ Tested and Listed by Underwriters Laboratories under "Hood and Duct Accessories". (compatible with UL listed fire suppression systems)
- ▶ In conformance with the requirements of NFPA Standard No. 96.
- ▶ Manufactured of solid machined steel for superior strength and high temperature resistance.
- ▶ Supplied with a chrome plated finish to maximize corrosion resistance and attractive appearance
- ▶ Adapters are provided with internal pipe threads to permit easy coupling of the pipes at the point of penetration.

Model No.	Quick-Tite Adapter	Qty. per Box	Ship wt./Each
F11-0014	1/4" Pipe	24	2.5 oz.
F11-0038	3/8" Pipe w/ 1-1/8" Hole	24	3.3 oz.
F11-0038A	3/8" Pipe w/ 7/8" Hole	24	5.8 oz.
F11-0012	1/2" Pipe	24	5.3 oz.
F11-0034	3/4" Pipe	12	8.3 oz.
F11-0100	1" Pipe	8	13.5 oz.
F11-0114	1-1/4" Pipe	8	15.5 oz.
F11-0112	1-1/2" Pipe	8	19.0 oz.



Model No.	Corner Pulley	Qty. per Box	Ship wt./Each
F11-0012A	7/8"-18 x 1/2 NPT	24	5.1 oz.
F11-0012B	15/16"-20 x 1/2 NPT	24	4.9 oz.



introducing...

# Quick-Tite™ Hole Plugs

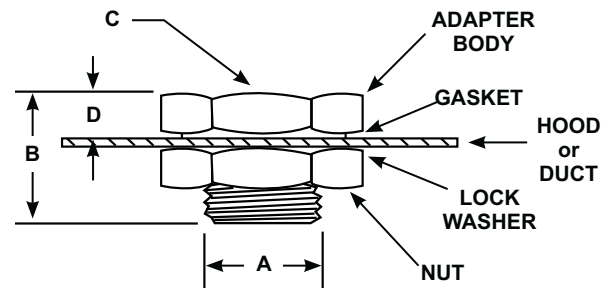
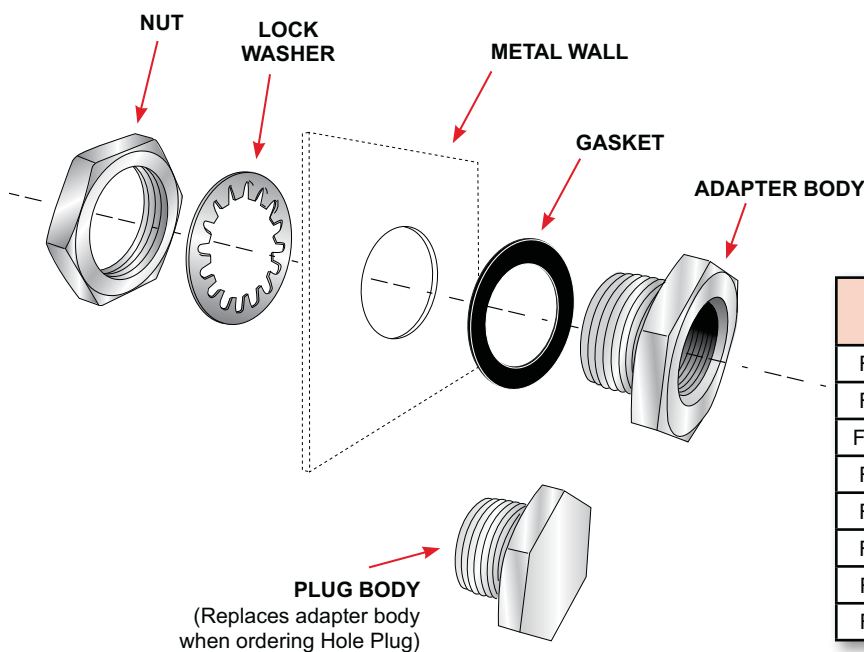
- ▶ Quick-Tite Hole Plugs are designed to provide a positive seal or patch for existing penetrations that are no longer required.
- ▶ Ideal to repair unwanted holes as a result of changes to a fire protection system, moving the location of a fire suppression nozzle, drilling a hole at the wrong location or using a hood/duct with previously drilled holes.
- ▶ Quick-Tite™ Hole Plugs are easy to install and provide an attractive, finished appearance to match adapters
- ▶ Available for five standard hole sizes - 3/4", 7/8", 1-1/8", 1-3/8", and 1-5/8".



Part No.	Hole Size	Qty. per Box	Ship wt./Each
F12-0034	3/4" to 7/8"	24	3.2 oz.
F12-0078	7/8" to 1"	24	4.8 oz.
F12-0118	1-1/8" to 1-5/16"	12	7.2 oz.
F12-0138	1-3/8" to 1-9/16"	12	12.8 oz.
F12-0158	1-5/8" to 1-7/8"	6	21.6 oz.



## Quick-Tite™ Assembly Breakdown



Part No.	Size of Pipe	A = Cut Out Hole Size	B	C	D
F11-0014	1/4"	3/4" to 7/8"	0.88	1.13 hex	0.25
F11-0038	3/8"	1-1/8" to 1-5/16"	1.00	1.50 hex	0.31
F11-0038A	3/8"	7/8" to 1"	1.00	1.50 hex	0.31
F11-0012	1/2"	1-1/8" to 1-5/16"	1.14	1.50 hex	0.31
F11-0034	3/4"	1-3/8" to 1-9/16"	1.25	1.88 hex	0.31
F11-0100	1"	1-5/8" to 1-7/8"	1.50	2.25 hex	0.38
F11-0114	1-1/4"	2" to 2-1/4"	1.50	2.50 hex	0.38
F11-0112	1-1/2"	2-1/4" to 2-1/2"	1.50	2.75 hex	0.38