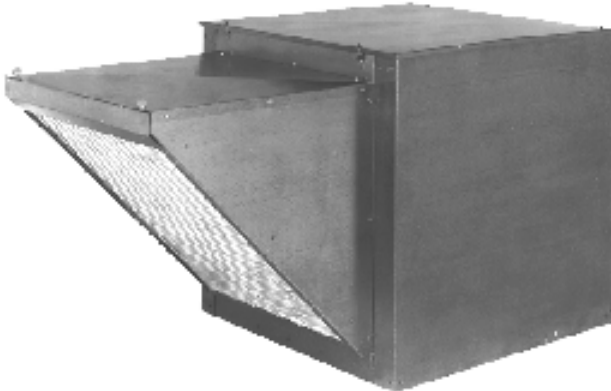


COOK



Loren Cook Company certifies that the KSPD shown herein is licensed to bear the AMCA Seal. The ratings shown are based on tests and procedures performed in accordance with AMCA Publication 211 and comply with the requirements of the AMCA Certified Ratings Program.

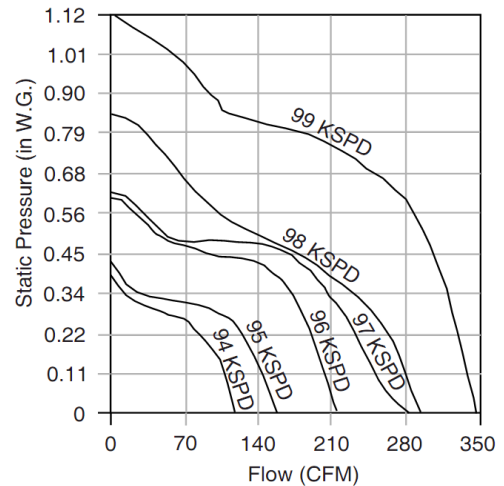
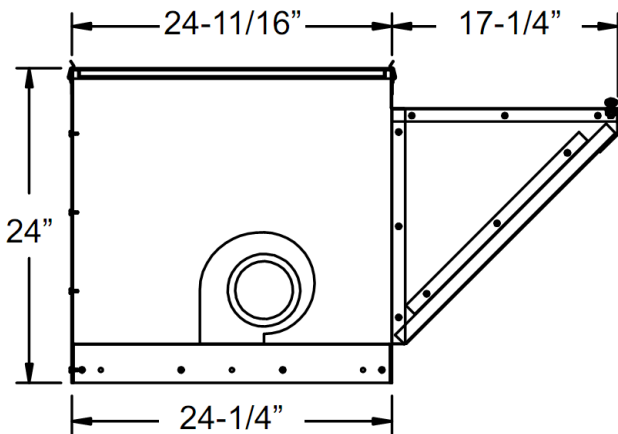


Type KSPD is furnished standard with UL 705 listing (Power Ventilator/ZACT).



Type KSPD is furnished standard with cUL listing (Power Ventilator).

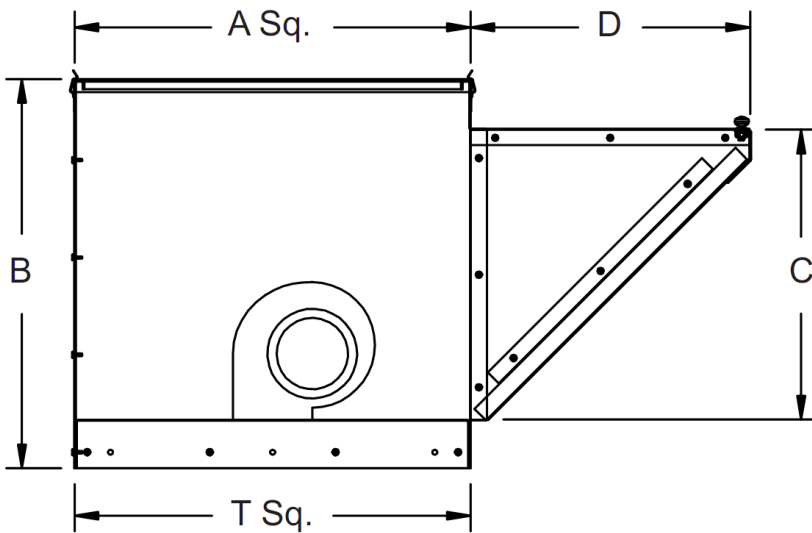
94 - 99 KSPD



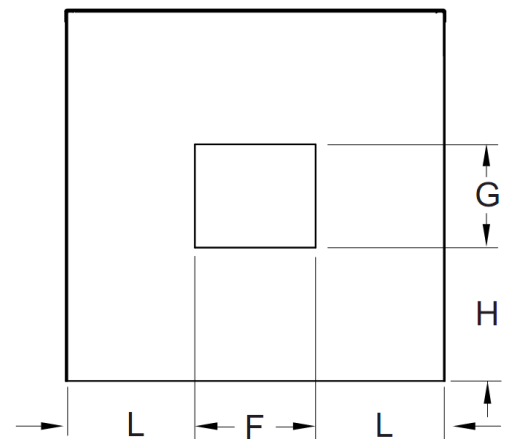
| Model No. | Max Watts/ BHP | RPM | 0.000" SP | | 0.125" SP | | 0.250" SP | | 0.375" SP | | 0.500" SP | | 0.625" SP | | 0.750" SP | |
|-----------|----------------|-------|-----------|------|-----------|------|-----------|------|-----------|------|-----------|------|-----------|------|-----------|------|
| | | | CFM | Sone | CFM | Sone | CFM | Sone | CFM | Sone | CFM | Sone | CFM | Sone | CFM | Sone |
| 94 | 43 | 1,154 | 117 | 1.2 | 106 | 1.1 | 77 | 1.3 | | | | | | | | |
| 95 | 75 | 1,240 | 156 | 2.2 | 141 | 1.9 | 120 | 1.5 | | | | | | | | |
| 96 | 87 | 1,423 | 215 | 3.4 | 202 | 3.3 | 187 | 3.5 | 165 | 3.8 | | | | | | |
| 97 | 150 | 1,628 | 282 | 4.9 | 249 | 4.4 | 227 | 4.3 | 197 | 4.1 | | | | | | |
| 98 | 180 | 1,093 | 294 | 5.3 | 271 | 4.0 | 258 | 3.4 | 215 | 2.9 | | | | | | |
| 99 | 160 | 1,385 | 346 | 5.9 | 333 | 5.6 | 325 | 5.5 | 316 | 5.0 | 300 | 4.6 | 271 | 4.3 | 205 | 4.0 |



Bottom Discharge Duct Connection Dimensions



Single Discharge
(SIZES 94-106)



KSPD Discharge Dimension Data

| Model | A Sq. | B | C (Height x Width) | D | T Sq. | Material Gauges | | Approx. Ship Wt. Lbs. |
|--------------|----------|----|-----------------------|--------|--------|-----------------|------|-----------------------------|
| | | | | | | Housing | Base | |
| 94 - 99 KSPD | 24-11/16 | 24 | 18 x 18-1/4 | 17-1/4 | 24-1/4 | 18 | 16 | 190 |

KSPD Dimension Data for Outlet

| Size | F | G | H | J | K | L |
|--------|--------|--------|---------|---|-------|---------|
| 94, 95 | 3 | 4-9/16 | 9-13/16 | - | 6-1/4 | 10-5/8 |
| 96, 97 | 3-7/16 | 4-7/8 | 9-5/8 | - | 6-1/4 | 10-7/16 |
| 98, 99 | 3-7/8 | 5-5/8 | 9-1/4 | - | 6-1/4 | 10-1/4 |