



ITEM NO: _____



MODEL:
Encore® KN60-1000

PRODUCT NAME:
Encore® Deck Mount Pre-rinse Assembly

OPTIONAL:
 KN60-1000-BR W/ Wall Bracket

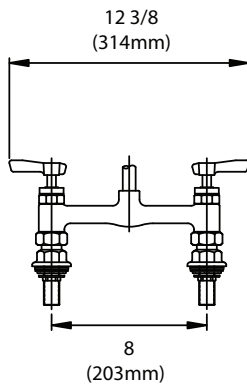
TECHNICAL/PERFORMANCE SPECIFICATIONS:
Commercial Specification Grade
1/2" NPSM Male Inlets
Gaskets and Seals Rated Commercial Hot 180°F
Operating Temperature: 40 - 180°F
Operating Pressure: 15 - 125psi
Handle and Grip: SANIGUARD Treatment

Encore By CHG

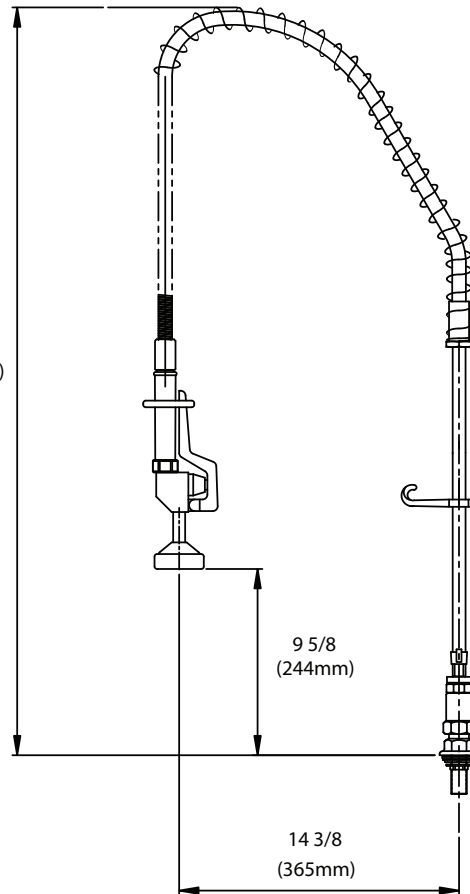


ENGINEERING SPECIFICATION:

- Polished Chrome Plated Brass
- Deck mount faucet with 8" adjustable centers
- One Piece Supply Inlet Couplings
- Mounting Hardware Included
- 1/4 Turn Compression Valves w/ Check Valves
- Lever Handles w/ SANIGUARD® Treatment
- S/S Flex Hose w/ Santoprene Reinforced Hose
- Stainless Steel Strain Relief – Patented
- O-Ring Seals - Patented
- Standard Full Spray Pattern
- 1.2 GPM Spray Face Included
- Hold open ring and hose hook included



3 81/2
(978mm)



COMPLIES WITH:

- ANSI A112.18.1M
- CSA B125
- NSF 61 / 9
- ASTM F2324



MODEL: ENCORE® KN60-1000

OPTIONS:

Handles

- | | |
|-------------------------------------|--------------------------------|
| <input type="checkbox"/> K50-0001 | 4" Wrist Blade Handles |
| <input type="checkbox"/> K50-0001-6 | 6" Wrist Blade Handles |
| <input type="checkbox"/> K50-X011 | Cross Handle Replacement Kit |
| <input type="checkbox"/> K50-X117 | Chrome Plated Designer Handles |

Valves

- | | |
|--|--|
| <input type="checkbox"/> KN50-Y006-CCV | Cold 1/4 Turn Ceramic Valve with Inline Check Valves |
| <input type="checkbox"/> KN50-Y007-CCV | Hot 1/4 Turn Ceramic Valve with Inline Check Valves |

Add-on faucets

- | | |
|------------------------------------|-----------------------------|
| <input type="checkbox"/> KN55-7006 | With 6"(152mm) Swing Spout |
| <input type="checkbox"/> KN55-7008 | With 8"(203mm) Swing Spout |
| <input type="checkbox"/> KN55-7010 | With 10"(254mm) Swing Spout |
| <input type="checkbox"/> KN55-7012 | With 12"(305mm) Swing Spout |
| <input type="checkbox"/> KN55-7014 | With 14"(356mm) Swing Spout |
| <input type="checkbox"/> KN55-7016 | With 16"(406mm) Swing Spout |

Vacuum breakers

- | | |
|-------------------------------------|--|
| <input type="checkbox"/> K50-X139 | Top of Riser Atmospheric Vacuum Breaker |
| <input type="checkbox"/> K50-X139-B | Bottom of Riser Atmospheric Vacuum Breaker |
| <input type="checkbox"/> K50-X196 | In-Line Hose Application |