



ITEM NO: _____



MODEL:
Encore® KN53-3000-VB

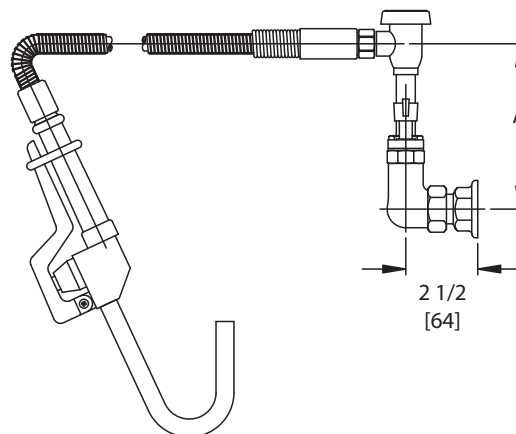
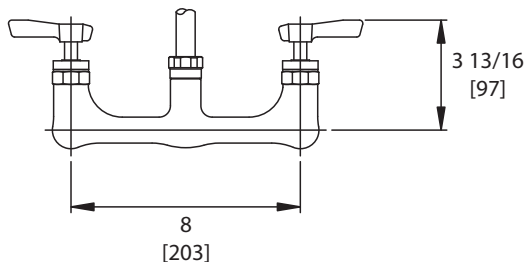
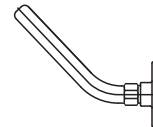
PRODUCT NAME:
Encore® Wall Mount Pot Filler Assembly

OPTIONAL:
 KN53-3000 Same unit, less vacuum breaker

TECHNICAL/PERFORMANCE SPECIFICATIONS:
Commercial Specification Grade
Gaskets and Seals Rated Commercial Hot 180°F
1/2" NPT Female Inlets
Operating Temperature: 40 - 180°F
Operating Pressure: 15 - 125psi
Handle and Grip: SANIGUARD® Inorganic Antimicrobial Treatment



ENGINEERING SPECIFICATION:
Polished Chrome Plated Brass
Wall mount faucet w/ 8" adjustable centers
1/4 Turn Compression Valves w/ Check Valves
Lever Handles w/ SANIGUARD® Antimicrobial treatment
Stainless Steel Strain Relief – Patented
S/S Flex hose w/Santoprene reinforced inner hose
O-Ring Seals – Patented
Hold open ring and hose wall hook included



	A
KN53-3000	4 9/16 (117)
KN53-3000-VB	5 3/4 (146)

COMPLIES WITH:

ANSI A112.18.1M
CSA B125
NSF 61 / 9



MODEL: ENCORE® KN53-3000-VB

OPTIONS:

Handles

- | | |
|-----------------------------------|--------------------------------|
| <input type="checkbox"/> K50-0001 | 4" Wrist Blade Handles |
| <input type="checkbox"/> K50-X011 | Cross Handle Replacement Kit |
| <input type="checkbox"/> K50-X117 | Chrome Plated Designer Handles |

Valves

- | | |
|--|--|
| <input type="checkbox"/> KN50-Y006-CCV | Cold 1/4 Turn Ceramic Valve with Inline Check Valves |
| <input type="checkbox"/> KN50-Y007-CCV | Hot 1/4 Turn Ceramic Valve with Inline Check Valves |