

PROJECT NAME: _____

LOCATION: _____

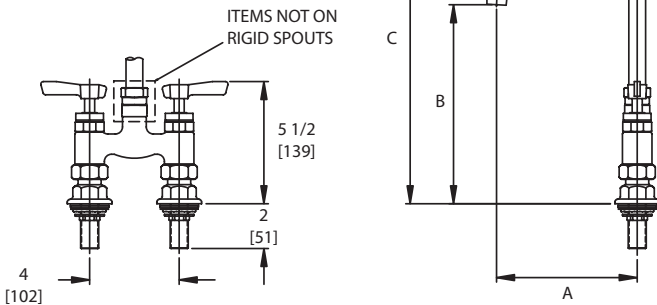
SPECIFIER ITEM NO. _____ **QTY:** _____

ENCORE PART NO. _____

Encore[®] 4" Deck Mount Faucet with Swivel Gooseneck Spout & Lever Handles

KL57-4x0x-SE1 Series

- KL57-4100-SE1 3" Spout, Ceramic Valves
- KL57-4000-SE1 3" Spout, Compression Valves
- KL57-4102-SE1 6" Spout, Ceramic Valves
- KL57-4002-SE1 6" Spout, Compression Valves
- KL57-4101-SE1 8" Spout, Ceramic Valves
- KL57-4001-SE1 8" Spout, Compression Valves



Dimensions shown in inches (mm) are for reference only and are subject to change.

1-1/8" (29mm) holes for deck are recommended to accommodate 1/2" supply nipples.

1/2" NPSM Male Inlets

Operating Temperature: 40-180°F (5-83°C)

Operating Pressure: 15-125psi

Approximate shipping weight - 6 lbs

Warranty - 2 years parts

Solid heavy duty cast body is specification and commercial quality

Commercial Quality Features

- Swivel gooseneck spout design
- ADA-compliant lever handles
- Built-in check valve to prevent cross-flow and back-flow
- Leak proof double O-ring spout design
- Stainless steel spout

SANIGUARD[®] Product Protection

- Permanently incorporated on all touch points of Encore plumbing fixtures
- Inorganic, silver ion technology inhibits growth of common bacteria, yeasts, mold and fungi, minimizes cross-contamination

SPECIFICATIONS:

4" Deck Mount Faucet to be Encore KL57 Series in the following configuration:

- _____ KN57-4100-SE1 3" Spout, Ceramic Valves
- _____ KN57-4000-SE1 3" Spout, Compression Valves
- _____ KN57-4102-SE1 6" Spout, Ceramic Valves
- _____ KN57-4002-SE1 6" Spout, Compression Valves
- _____ KN57-4101-SE1 8" Spout, Ceramic Valves
- _____ KN57-4001-SE1 8" Spout, Compression Valves

Faucet body to be constructed of polished chrome plated brass with total lead content less than 0.25% by weighted average. Faucet to have 4" adjustable inlet centers and lever handles. Handles to be incorporated with SANIGUARD treatment. Color coded temperature indexes shall meet international standards. Valve to be 1/4-turn with integral check valve to prevent cross-flow and back-flow. Spout to be stainless steel swivel gooseneck style with leak proof double O-ring seal design. 2.2gpm aerator @ 60psi standard with full flow stream bubbler screen spout tip.

Model No.	A	B	C
KL57-4100-SE1	3-1/2" (89mm)	9-3/8" (238mm)	11-5/8" (295mm)
KL57-4000-SE1	3-1/2" (89mm)	9-3/8" (238mm)	11-5/8" (295mm)
KL57-4102-SE1	6" (152mm)	11-3/8" (289mm)	15-1/16" (383mm)
KL57-4002-SE1	6" (152mm)	11-3/8" (289mm)	15-1/16" (383mm)
KL57-4101-SE1	8-1/2" (216mm)	9-5/8" (244mm)	15-3/8" (391mm)
KL57-4001-SE1	8-1/2" (216mm)	9-5/8" (244mm)	15-3/8" (391mm)

COMPLIES WITH:
ASME A112.18.1-2005
CSA B125.1-05
NSF/ANSI 61/9, ANNEX G
SECTION 116875 OF THE
CALIFORNIA HEALTH & SAFETY CODE
(COMMONLY KNOWN AS AB1953)
VERMONT ACT 193
UNIFORM PLUMBING CODE

