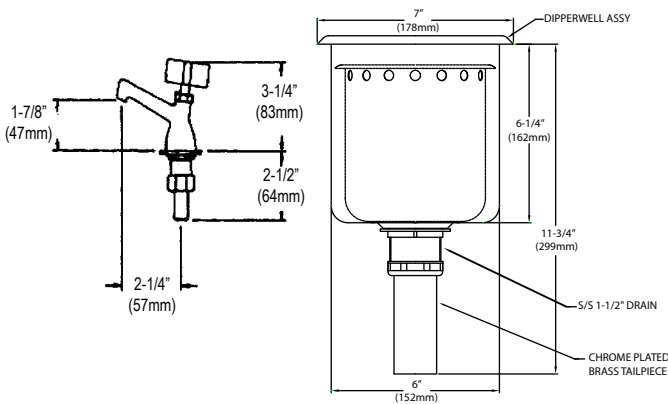


Encore® Dipperwell Assembly

K30-10x0

K30-1000 Dipperwell only
KL30-1010 Dipperwell with faucet



Dimensions shown in inches (mm) are for reference only and are subject to change.

KL22-3100 faucet:
1/4" Union Tailpiece
1/2" NPS Male Inlet

Approximate shipping weight - 3.5 lbs
Warranty - 2 years parts

Corrosion resistant stainless steel construction

Commercial Quality Features

- Type 18-8 stainless steel inner and outer shell
- Stainless steel basket drain
- Available with or without faucet

SPECIFICATIONS:

Dipperwell assembly to be Encore K30-10x0 Series to be in the following configuration:

— K30-1000 Dipperwell only
— KL30-1010 Dipperwell with KL22-3100 faucet*

Assembly to be 18-8 stainless steel. Basket drain to be stainless steel and 1-1/2" OD x 4". Brass NPT tailpiece to be included. Handle to be solid unbreakable chrome plated brass. Assembly to fit into 6" dia. opening.

*KL22-3100 faucet body to be constructed of polished chrome plated brass with total lead content less than 0.25% by weighted average. Faucet to have unbreakable solid chrome plated brass handle. Standard flow rate 1.33gpm @ 45 PSI. For .4gpm specify "-SB".

COMPLIES WITH:
ASME A112.18.1-2005
CSA B125.1-05
NSF/ANSI 61/9, ANNEX G
SECTION 116875 OF THE
CALIFORNIA HEALTH & SAFETY CODE
(COMMONLY KNOWN AS AB1953)
VERMONT ACT 193
UNIFORM PLUMBING CODE

