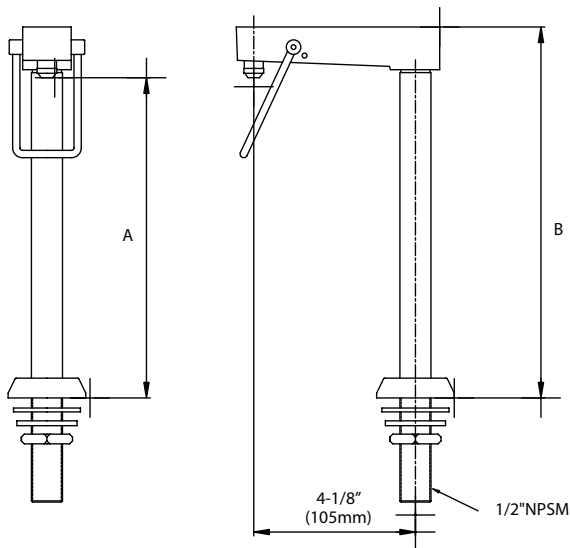


Encore® Deck Mounted Glass Filler  
**KL26-50xx Series**

KL26-5000	8" riser, 1/2" NPSM
KL26-5012	12" riser, 1/2" NPSM
KL26-5012-SP	12" riser, 3/8" NPSM
KL26-5015-SP	15" riser, 3/8" NPSM



Dimensions shown in inches (mm) are for reference only and are subject to change.

1/2" NPSM Male Inlet – KL26-5000 / KL26-5012  
 3/8" NPSM Male Inlet – KL26-5012-SP / KL26-5015-SP  
 Operating Temp: 40 - 180°F (5 - 83°C)  
 Operating Pressure: 20 - 125psi

Approximate shipping weight - 3 lbs  
 Warranty - 2 years parts

Deck mounted glass filler

**Commercial Quality Features**

- Polished chrome plated brass
- Type 304 stainless steel riser
- Stainless steel valve and lever
- Two position lever arm pushes back for easy filling or upward for continuous flow
- Fully adjustable spout for regulated water flow control

**SPECIFICATIONS:**

Glass filler to be Encore KL26-5000 Series in the following configuration:

___ KL26-5000	8" riser, 1/2" NPSM
___ KL26-5012	12" riser, 1/2" NPSM
___ KL26-5012-SP	12" riser, 3/8" NPSM
___ KL26-5015-SP	15" riser, 3/8" NPSM

Glass filler to be constructed of polished chrome plated brass with total lead content less than 0.25% by weighted average. Riser to be Type 304 stainless steel. Valve and lever to be stainless steel. Lever arm to have two positions. Fully adjustable spout for regulated water flow control. Mounting hardware to be included.

Model No.	A	B
KL26-5000	8-1/4" (210mm)	9-1/2" (241mm)
KL26-5012	12" (305mm)	13-1/4" (337mm)
KL26-5012-SP	12" (305mm)	13-1/4" (337mm)
KL26-5015-SP	15" (381mm)	16-1/4" (413mm)

**COMPLIES WITH:**  
 ASME A112.18.1-2005  
 CSA B125.1-05  
 NSF/ANSI 61/9, ANNEX G  
 SECTION 116875 OF THE  
 CALIFORNIA HEALTH & SAFETY CODE  
 (COMMONLY KNOWN AS AB1953)  
 VERMONT ACT 193  
 UNIFORM PLUMBING CODE

