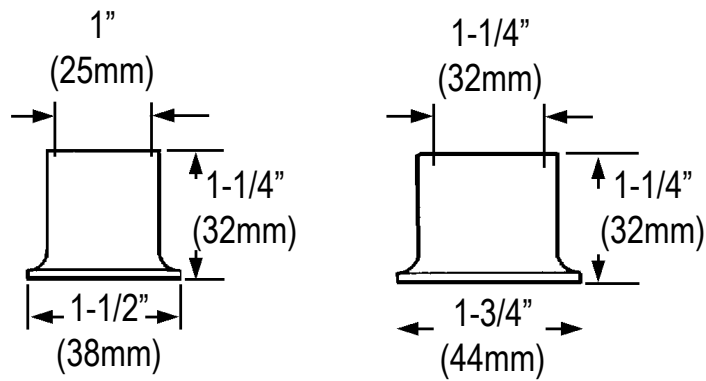




MODEL NO. J52-1250



FOR WELDED APPLICATION
FOR 1-1/4" (32mm) O.D. TUBING