



## DRAWER SLIDES, EXTRA HEAVY -DUTY

### S52 SERIES

- NSF LISTED
- STAINLESS STEEL FULL EXTENSION
- 200 lbs (100 kg) LOAD CAPACITY
- SLIDES AND ROLLERS EASILY REMOVED
- INCLUDES 8 BALL BEARING ASSEMBLIES
- RETAINER PLATES...KEEPS SLIDES IN POSITION EVEN WHEN DRAWERS ARE REMOVED
- POSITIVE STOPS

### SPECIFICATIONS

<b>MOUNTING SPACE REQUIRED</b>	SIDE 25/32" (20mm)
<b>HEIGHT</b>	2-7/16" (62mm)
<b>DRAWER EXTENSION</b>	FULL TRAVEL
<b>LOAD CAPACITY</b>	200 lbs (100kg) PER PAIR WITH STAINLESS STEEL BEARINGS 150 lbs (68kg) PER PAIR WITH DELRIN BEARINGS
<b>MATERIAL</b>	14 ga (2mm) STAINLESS STEEL
<b>ACTION</b>	SOLID DELRIN OR STAINLESS STEEL BALL BEARING WHEELS WITH REMOVABLE STAINLESS STEEL SCREWS

NOTE: LOAD RATING BASED ON 20" (500mm) SLIDE LENGTH  
PACKAGED 6 PAIR PER CARTON

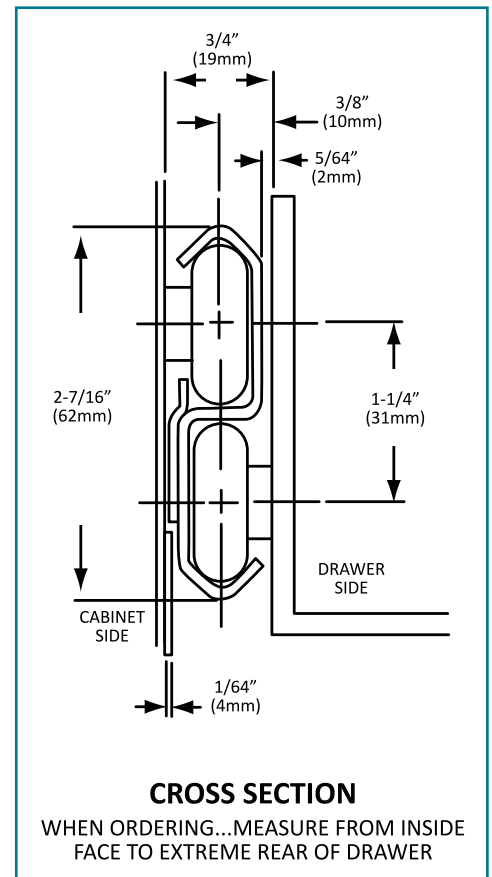
#### S52 SERIES STAINLESS STEEL FULL EXTENSION DRAWER SLIDES WITH STAINLESS STEEL BEARINGS

MODEL NO.	SIZE
S52-0020	20" (508mm)
S52-0022	22" (559mm)
S52-0024	24" (610mm)
S52-0026	26" (660mm)

#### S52 SERIES STAINLESS STEEL FULL EXTENSION DRAWER SLIDES WITH DELRIN BEARINGS

MODEL NO.	SIZE
S52-2020	20" (508mm)
S52-2022	22" (559mm)
S52-2024	24" (610mm)
S52-2026	26" (660mm)

NOTE: BOTH MODELS ARE FURNISHED WITH REMOVABLE STAINLESS STEEL THREADED FASTENERS



NOTE: STAINLESS STEEL BALL BEARING ASSEMBLIES W/REMOVABLE STAINLESS STEEL THREADED FASTENERS (MODEL NO. S52-X001) AND DELRIN BEARING COMPLETE W/REMOVABLE STAINLESS STEEL THREADED FASTENERS (MODEL NO. S52-X101) MAY BE ORDERED SEPARATELY...SEE PAGE G30



## S26 STAINLESS STEEL SERIES

- NSF LISTED
- STAINLESS STEEL
- FULL EXTENSION
- 100 lbs (50kg) LOAD CAPACITY
- EASY INSTALLATION
- SLIDES & ROLLERS EASILY REMOVED FOR CLEANING
- INCLUDES (8) S/S BALL BEARING ASSEMBLIES
- RETAINER PLATES...KEEPS SLIDES IN POSITION EVEN WHEN DRAWERS ARE REMOVED
- POSITIVE STOPS

### SPECIFICATIONS

<b>MOUNTING</b>	SIDE
<b>SPACE REQUIRED</b>	5/8" (15mm)
<b>HEIGHT</b>	1-27/32" (21mm)
<b>DRAWER EXTENSION</b>	FULL TRAVEL
<b>LOAD CAPACITY</b>	100 lbs (45kg) PER PAIR
<b>ACTION</b>	STAINLESS STEEL BALL BEARING WHEELS WITH REMOVABLE STAINLESS STEEL SCREWS

NOTE: LOAD RATING BASED ON 20" (508mm) SLIDE LENGTH  
PACKAGED 10 PAIR PER CARTON

## S10 ECONOMICAL SERIES

- NSF LISTED
- ECONOMICAL ZINC PLATED STEEL
- FULL EXTENSION
- 100 lbs (50kg) LOAD CAPACITY
- EASY INSTALLATION
- SLIDES & ROLLERS EASILY REMOVED FOR CLEANING
- INCLUDES (8) BALL BEARING ASSEMBLIES
- RETAINER PLATES...KEEPS SLIDES IN POSITION EVEN WHEN DRAWERS ARE REMOVED
- POSITIVE STOPS

### SPECIFICATIONS

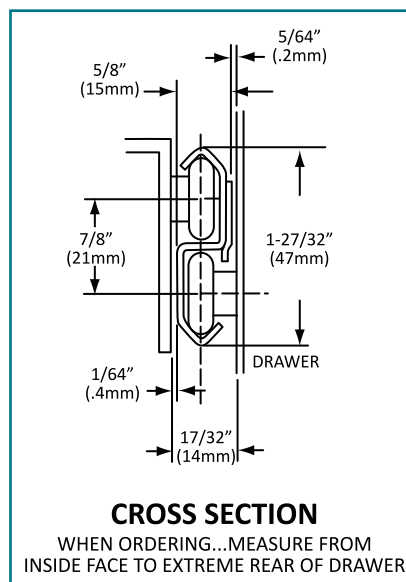
<b>MOUNTING</b>	SIDE
<b>SPACE REQUIRED</b>	5/8" (15mm)
<b>HEIGHT</b>	1-27/32" (21mm)
<b>DRAWER EXTENSION</b>	FULL TRAVEL
<b>LOAD CAPACITY</b>	100 lbs (45kg) PER PAIR
<b>MATERIAL</b>	COLD ROLLED ZINC PLATED STEEL
<b>ACTION</b>	ZINC PLATED STEEL BALL BEARING WHEELS WITH REMOVABLE ZINC PLATED STEEL SCREWS

NOTE: LOAD RATING BASED ON 20" (508mm) SLIDE LENGTH  
PACKAGED 10 PAIR PER CARTON

### S26 SERIES STAINLESS STEEL FULL EXTENSION DRAWER SLIDES WITH STAINLESS STEEL BEARINGS

MODEL NO.	SIZE
S26-0014	14" (356mm)
S26-0016	16" (406mm)
S26-0018	18" (457mm)
S26-0020	20" (508mm)
S26-0022	22" (559mm)
S26-0024	24" (610mm)
S26-0026	26" (660mm)

NOTE: STAINLESS STEEL BALL BEARING ASSEMBLIES WITH REMOVABLE STAINLESS STEEL THREADED FASTENERS MAY BE ORDERED SEPARATELY.  
SEE PG.G30 (MODEL NO. S26-Y001)



### S10 SERIES ZINC PLATED FULL EXTENSION DRAWER SLIDES WITH ZINC PLATED BEARINGS

MODEL NO.	SIZE
S10-0014	14" (356mm)
S10-0016	16" (406mm)
S10-0018	18" (457mm)
S10-0020	20" (508mm)
S10-0022	22" (559mm)
S10-0024	24" (610mm)
S10-0026	26" (660mm)

NOTE: ZINC PLATED STEEL BALL BEARING ASSEMBLIES WITH REMOVABLE ZINC PLATED STEEL THREADED FASTENERS MAY BE ORDERED SEPARATELY.  
SEE PG. G30 (MODEL NO. S10-Y001)



## S25 STAINLESS STEEL DRAWER SLIDES

### S25 SERIES

- NSF LISTED
- STAINLESS STEEL
- BALL BEARING ACTION
- 150 lbs (68kg) LOAD CAPACITY
- POSITIVE STOPS
- FINGER TIP LEVER DRAWER RELEASE

### SPECIFICATIONS

<b>MOUNTING</b>	SIDE
<b>SPACE REQUIRED</b>	9/16" (14mm)
<b>HEIGHT</b>	3" (76mm)
<b>DRAWER EXTENSION</b>	LENGTH OF SLIDE MINUS 4-1/4" (107mm)
<b>LOAD CAPACITY</b>	150 lbs (68kg) PER PAIR**
<b>ACTION</b>	STAINLESS STEEL BALL BEARING WHEELS WITH REMOVABLE STAINLESS STEEL SCREWS

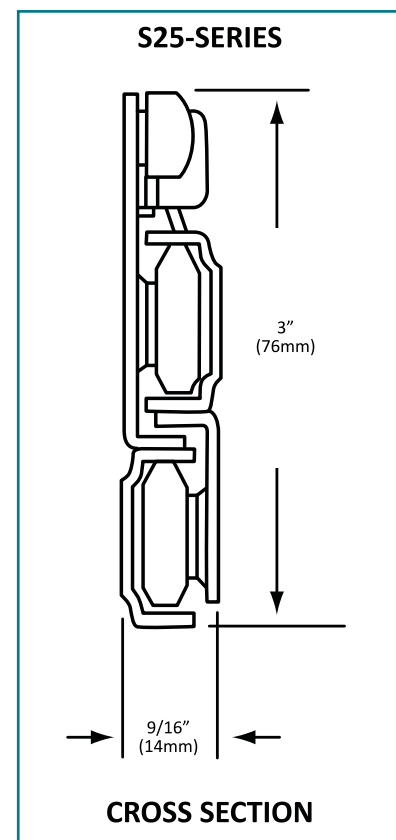
PACKAGED 10 PAIR PER CARTON

#### \*S25 SERIES STAINLESS STEEL DRAWER SLIDES WITH STAINLESS STEEL BEARINGS

SIZE	MODEL NO.
S25-0012	12" (305mm)
S25-0014	14" (356mm)
S25-0016	16" (406mm)
S25-0018	18" (457mm)
S25-0020	20" (508mm)
S25-0022	22" (559mm)
S25-0024	24" (610mm)
S25-0026	26" (660mm)
S25-0028	28" (711mm)

#### \*S25 SERIES STAINLESS STEEL DRAWER SLIDES WITH S/S BEARINGS W/ NYLON TIRE

SIZE	MODEL NO.
S25-2012	12" (305mm)
S25-2014	14" (356mm)
S25-2016	16" (406mm)
S25-2018	18" (457mm)
S25-2020	20" (508mm)
S25-2022	22" (559mm)
S25-2024	24" (610mm)
S25-2026	26" (660mm)
S25-2028	28" (711mm)



\*EQUIVALENT TO STANDARD-KEIL SERIES 1425

\*\*LOAD RATING BASED ON 18" (457mm) SLIDE LENGTH

NOTE: WHEN ORDERING, MEASURE FROM INSIDE FACE TO EXTREME REAR OF DRAWER



## DRAWER SLIDES, 1/2" (13mm) CLEARANCE

### S15 SERIES

- ZINC PLATED STEEL
- 75 lbs (40kg) LOAD CAPACITY
- ALLOWS DRAWER TO BE EASILY REMOVED

#### SPECIFICATIONS

<b>MOUNTING</b>	SIDE
<b>SPACE REQUIRED</b>	1/2" (13mm)
<b>HEIGHT</b>	3" (76mm)
<b>DRAWER EXTENSION</b>	LENGTH OF SLIDE MINUS 4-1/4" (107mm)
<b>LOAD CAPACITY</b>	75 lbs (40kg) PER PAIR
<b>MATERIAL</b>	COLD ROLLED STEEL, ZINC PLATED, CLEAR CHROMATE
<b>ACTION</b>	NYLON BALL BEARING ROLLERS
<b>ADDITIONAL</b>	POSITIVE STOPS, FINGER TIP RELEASE, REMOVABLE



### S35 SERIES

- ZINC PLATED STEEL • FULL EXTENSION
- 100 lbs (50kg) LOAD CAPACITY • NO DEFLECTION
- ALLOWS DRAWER TO BE EASILY REMOVED

#### SPECIFICATIONS

<b>MOUNTING</b>	SIDE
<b>SPACE REQUIRED</b>	1/2" (13mm)
<b>HEIGHT</b>	2-3/8" (60mm)
<b>DRAWER EXTENSION</b>	FULL TRAVEL
<b>LOAD CAPACITY</b>	100 lbs (50kg) PER PAIR
<b>MATERIAL</b>	COLD ROLLED STEEL, ZINC PLATED, CLEAR CHROMATE
<b>ACTION</b>	FRONT INTERMEDIATE WHEEL: NYLON ROLLER OUTER CHANNEL ASSEMBLY: STEEL BALL BEARING
<b>ADDITIONAL</b>	POSITIVE MECHANICAL STOP, FULL EXTENSION WITH VIRTUALLY NO DEFLECTION, REMOVABLE

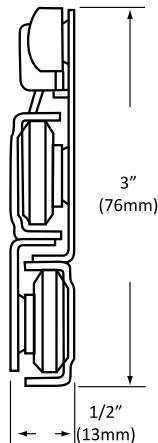
NOTE: LOAD RATING BASED ON 18" (457mm) SLIDE LENGTH  
PACKAGED 10 PAIR PER CARTON

NOTE: LOAD RATING BASED ON 18" (457mm) SLIDE LENGTH  
PACKAGED 10 PAIR PER CARTON

#### S15 SERIES STEEL ZINC PLATED DRAWER SLIDES

MODEL NO.	SIZE
S15-1012	12" (305mm)
S15-1014	14" (356mm)
S15-1016	16" (406mm)
S15-1018	18" (457mm)
S15-1020	20" (508mm)
S15-1022	22" (559mm)
S15-1024	24" (610mm)
S15-1026	26" (660mm)

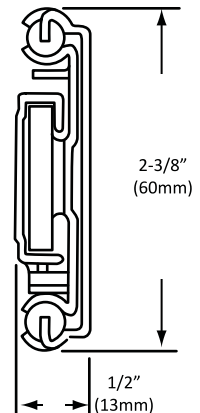
NOTE: WHEN ORDERING, MEASURE FROM INSIDE FACE TO EXTREME REAR OF DRAWER .



#### S35 SERIES ZINC PLATED STEEL FULL EXTENSION DRAWER SLIDES

MODEL NO.	SIZE
S35-1016	16" (406mm)
S35-1018	18" (457mm)
S35-1020	20" (508mm)
S35-1022	22" (559mm)
S35-1024	24" (610mm)
S35-1026	26" (660mm)

NOTE: WHEN ORDERING, MEASURE FROM INSIDE FACE TO EXTREME REAR OF DRAWER .





## DRAWER SLIDES, 3/4" (19mm) CLEARANCE

### S30 SERIES

- ZINC PLATED STEEL
- FULL EXTENSION
- 75 lbs (40kg) LOAD CAPACITY
- ALLOWS DRAWER TO BE EASILY REMOVED

### SPECIFICATIONS

**MOUNTING SPACE REQUIRED HEIGHT**

SIDE  
3/4" (19mm)  
2-1/32" (52mm) WITH ROLLERS  
1-1/4" (32mm) WITHOUT ROLLERS

**DRAWER EXTENSION LOAD CAPACITY**

FULL TRAVEL, CONTROLLED BY ROLLER REPLACEMENT  
75 lbs (40kg) PER PAIR

**MATERIAL ACTION**

ZINC PLATED STEEL  
NYLON OR NON-CORROSIVE METAL ROLLERS  
NON-HANDED, REMOVABLE (WITH ROLLERS), RUBBER STOPS

**ADDITIONAL FEATURES**

NOTE: LOAD RATING BASED ON 18" (450mm) SLIDE LENGTH  
PACKAGED 10 PAIR PER CARTON

### S30 SERIES ZINC PLATED STEEL FULL EXTENSION DRAWER SLIDES

SIZE	MODEL NO. WITH NYLON ROLLERS	MODEL NO. WITH METAL ROLLERS	MODEL NO. WITHOUT ROLLERS
18" (457mm)	S30-1018	S30-3018	S30-2018
20" (508mm)	S30-1020	S30-3020	S30-2020
22" (559mm)	S30-1022	S30-3022	S30-2022
24" (610mm)	S30-1024	S30-3024	S30-2024

