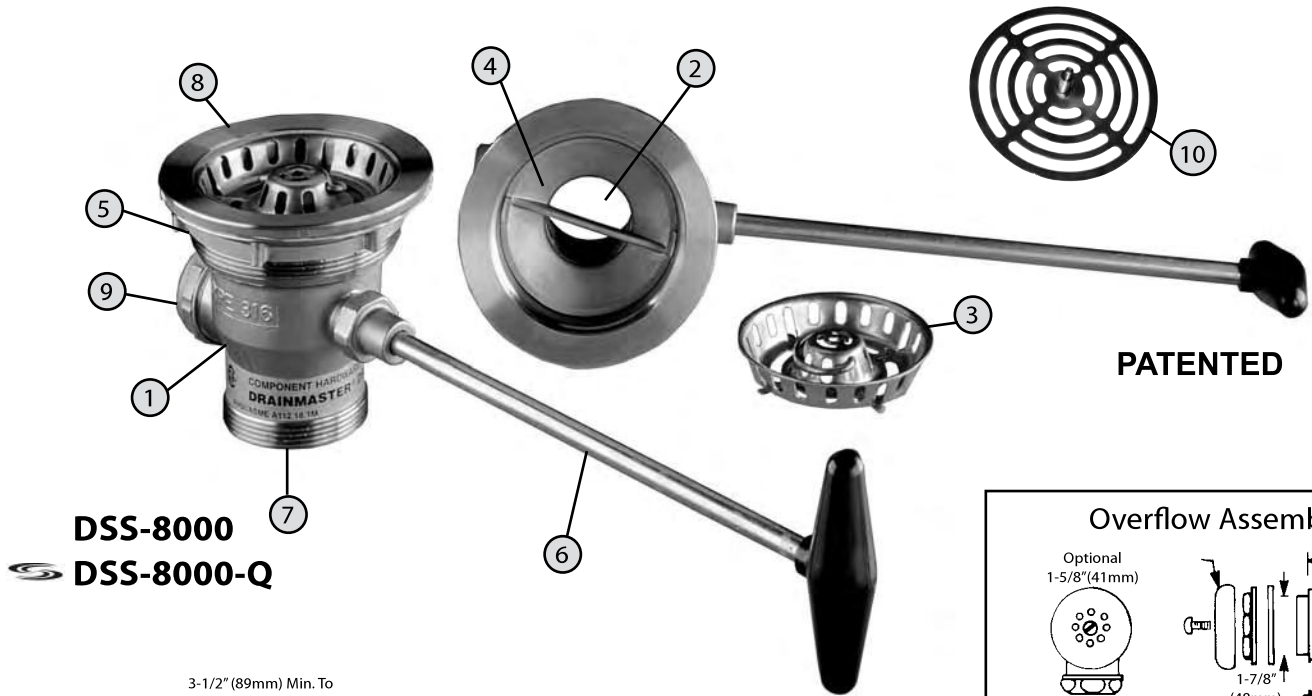




World's Greatest Drain

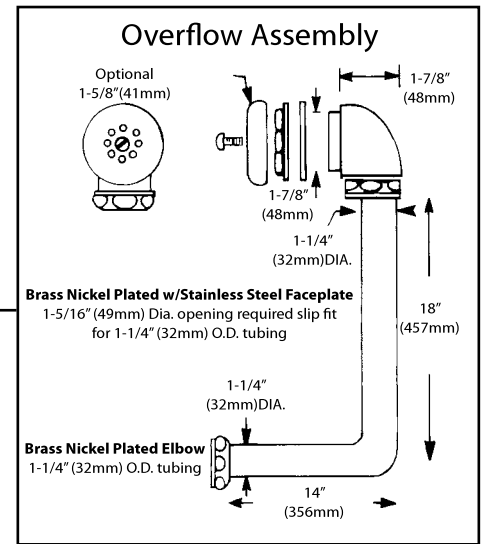
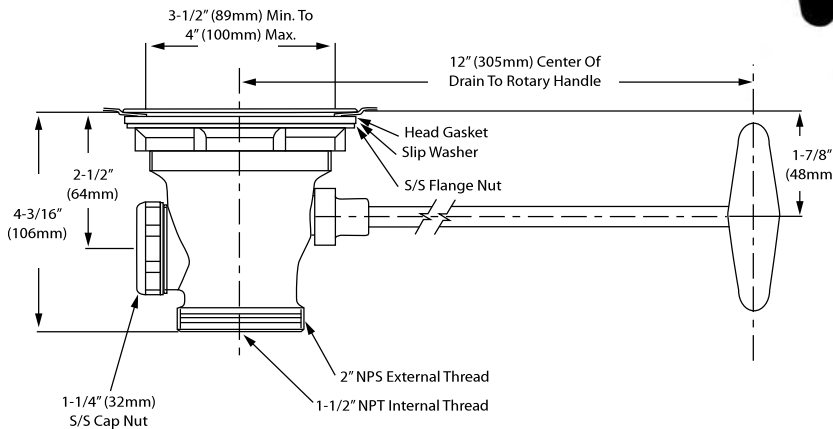
DSS-8000 Drain Master™ Features

NSF Listed, CSA and ANSI Certified



DSS-8000
DSS-8000-Q

PATENTED



1. Solid stainless steel type 316 construction throughout
2. 3 times the flow rate of conventional lever drains
2. Patented rotary valve provides fast, unobstructed water evacuation
2. Full opening ball valve allows access for snaking or plunging from sink top eliminating costly service calls
3. Twist lock recessed removable beehive crumb-cup prevents clogging and insures continuous water flow
4. Self-adjusting heat and chemical resistant Teflon® seals eliminate costly replacement of o-rings and conventional gaskets
5. Unique body style provides fast installation from sink top
6. Solid stainless steel remote handle assembly for smooth, easy operation
7. Universal body provides both 2" and 1-1/2" (51 and 38mm) waste outlet connections
8. Fits standard 3-1/2" (89mm) sink opening
9. Can instantly convert to accept an overflow assembly eliminating double inventories
10. Optional flat strainer DSS-Y007

Replacement Parts for DSS-8000 Drain


Model	Description
DSS-Y003	Replacement Crumb Cup
DSS-Y006	Optional Retainer Kit
DSS-0010	Repair Kit for DSS and DBN

Rotary Drains

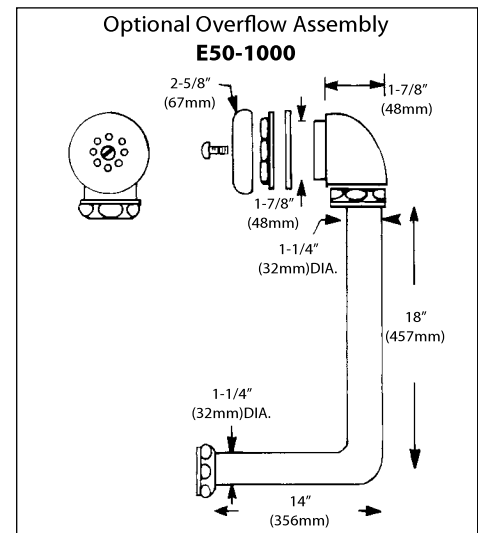
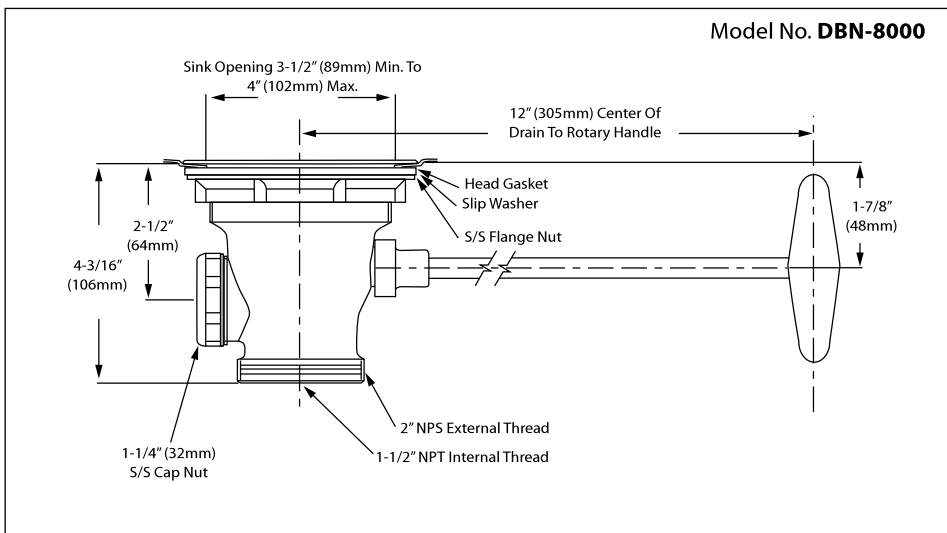


**QUIK
FLO**

Heavy-Duty Nickel Plated Solid Brass Rotary Drain

Model	Description	
DBN-8000	(Shown)	DBN-8000-Q
DSS-Y003	Replacement Crumb Cup	DSS-Y003-Q
DSS-Y007	Optional Flat Strainer	DSS-Y007-Q

- NSF Listed
- CSA and ANSI Certified
- Heavy-duty nickel plated solid brass
- Patented rotary valve provides fast, unobstructed water evacuation
- Twist lock recessed removable beehive crumb-cup prevents clogging and insures continuous water flow
- Self-adjusting heat and chemical resistant Teflon® seals eliminate costly replacement of o-rings and conventional gaskets
 - 3 times the flow rate of conventional lever drains
 - Fits standard 3-1/2" (89mm) sink opening
- Full opening ball valve allows access for snaking or plunging from sink top and eliminates costly service calls
 - Unique body style provides fast installation from sink top
 - Solid stainless steel remote handle assembly for smooth, easy operation
 - Specification grade
- Universal body provides both 2" and 1-1/2" (51 and 38mm) waste outlet connection and can instantly convert to Accept an overflow assembly eliminating double inventories
 - Overflow accessories available



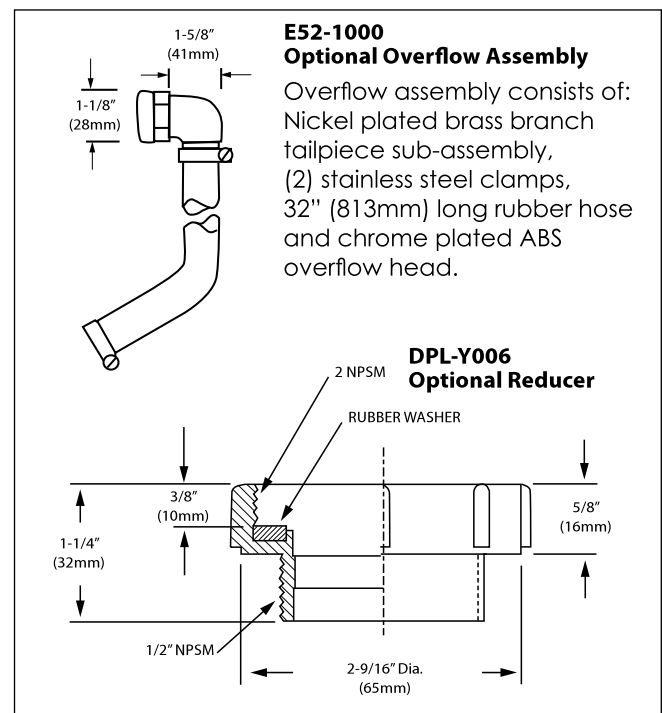
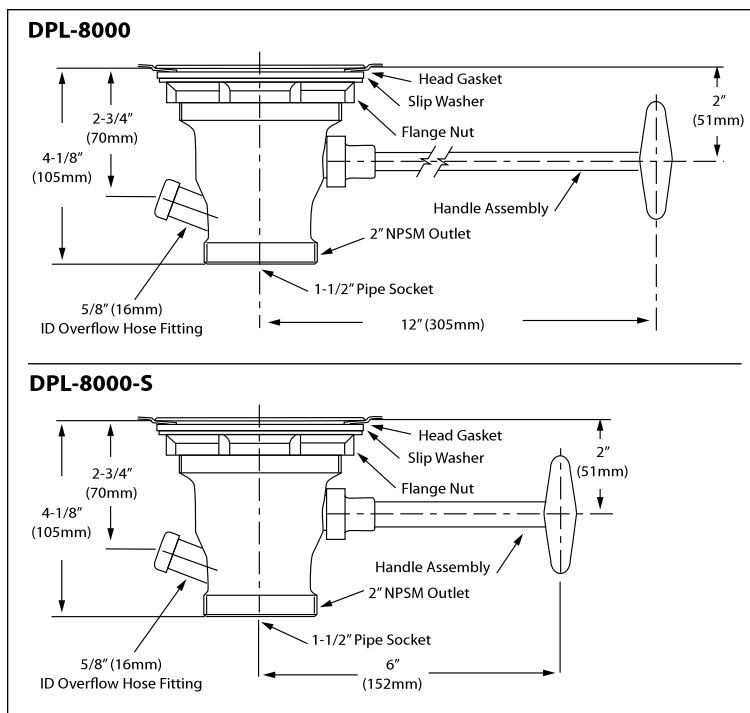


SINK MATE

ABS Plastic Rotary Drain

Model	Description
DPL-8000	Furnished with 12" (305mm) Handle
DPL-8000-S	Furnished with 6" (152mm) Handle
DPL-Y006	Optional Reducer


- NSF Listed
- CSA and ANSI Certified
- Economical solid ABS plastic
- Exposed areas stainless steel clad
- Chrome plated, twist lock removable beehive crumb-cup prevents clogging and insures continuous water flow
- Chemical resistant Celcon® seals eliminate costly replacement of o-rings and conventional gaskets
 - Fits standard 3-1/2" (89mm) sink opening
- Full opening ball valve allows access for snaking or plunging from sink top eliminates costly service calls
 - Solid stainless steel remote handle assembly for smooth, easy operation
 - Unaffected by today's harsh cleaning chemicals
- Universal body provides both 2" and 1-1/2" (51 and 38mm) waste outlet connection and can instantly convert to accept an overflow assembly eliminating double inventories
 - Unique body style provides fast installation from sink top
- Remote operation safely permits sink to drain while protecting operators hands from harmful broken glass, sharp knives and utensils replaces conventional basket drains



Rotary Drains



Solid Stainless Steel Rotary Drain, Type 316 Prison Vandal Resistant

Model	Description	
DSS-8000-P	(Shown)	DSS-8000-PQ
DSS-Y003	Replacement Crumb Cup	DSS-Y003-Q
DSS-Y007	Optional Flat Strainer	DSS-Y007-Q
DSS-Y006	Optional Retainer Kit	

Universal Twist and Lever Drains

Universal body provides both 1-1/2" (38mm) and 2" (51mm) waste outlet connections and can instantly convert to accept an overflow assembly eliminating double inventories

- Snap-in stainless steel strainer • Heavy duty body
- Self-centering flange • CSA and ANSI Certified • Stainless steel handle
- Optional 1-1/4" (32mm) complete overflow assembly



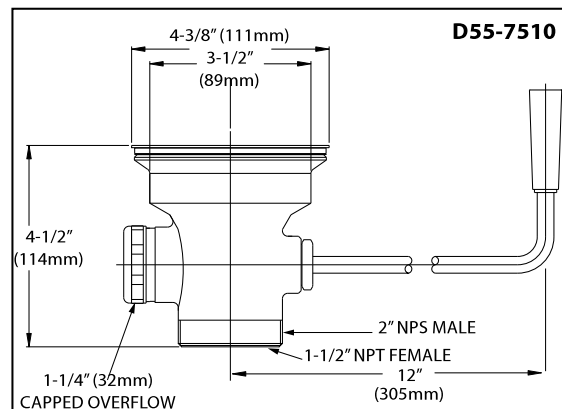
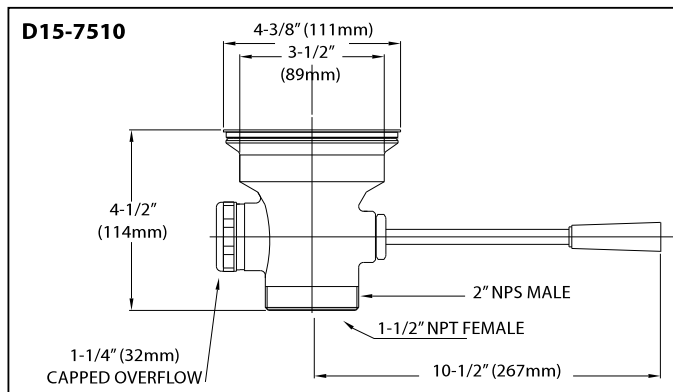
Universal Lever Drain

Model	Description
D15-7510	(Shown)
D15-7515	With Overflow Assembly
D10-X014	Optional Flat Strainer



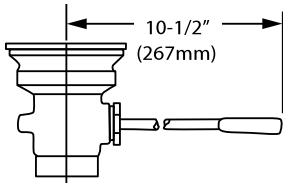
Universal Twist Drain






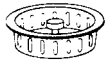
Model	Description
D55-7510	(Shown)
D55-7515	With Overflow Assembly
D10-X014	Optional Flat Strainer



Lever Handle Waste Outlets

- Trouble free fast drainage • Positive sealing action • Cast bronze body
- Snap-in stainless steel strainers • Self-centering face flanges • Stainless steel handle



Lever Handle Waste Outlets				
Model	Sink Opening Dia	NPS	Face Flange Dia	Strainer Type
D10-4161	3" (76mm)	1-1/2"	4" (102mm)	
D10-4160	3" (76mm)	2"	4" (102mm)	
D10-7300	3-1/2" (89mm)	1-1/2"	4-1/2" (114mm)	Flat
D10-7400	3-1/2" (89mm)	2"	4-1/2" (114mm)	
D13-7300	3-1/2" (89mm)	1-1/2"	4-1/2" (114mm)	
D13-7400	3-1/2" (89mm)	2"	4-1/2" (114mm)	Crumb Cup
Lever Handle Waste Outlet with Overflow Outlet				
D10-4151	3" (76mm)	1-1/2"	4" (102mm)	
D10-4150	3" (76mm)	2"	4" (102mm)	
D10-7310	3-1/2" (89mm)	1-1/2"	4-1/2" (114mm)	Flat
D10-7410	3-1/2" (89mm)	2"	4-1/2" (114mm)	
D13-7310	3-1/2" (89mm)	1-1/2"	4-1/2" (114mm)	
D13-7410	3-1/2" (89mm)	2"	4-1/2" (114mm)	Crumb Cup
Lever Handle Waste Outlet with Overflow Assembly				
D10-4591	3" (76mm)	1-1/2"	4" (102mm)	
D10-4590	3" (76mm)	2"	4" (102mm)	
D10-7315	3-1/2" (89mm)	1-1/2"	4-1/2" (114mm)	Flat
D10-7415	3-1/2" (89mm)	2"	4-1/2" (114mm)	
D13-7315	3-1/2" (89mm)	1-1/2"	4-1/2" (114mm)	
D13-7415	3-1/2" (89mm)	2"	4-1/2" (114mm)	Crumb Cup

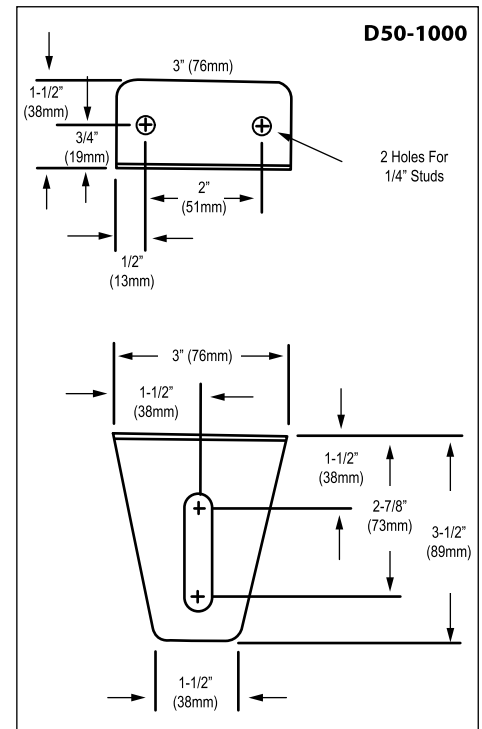
NOTE: All sink contact components are stainless steel. All other components are nickel plated to match stainless steel.

2" NPS female to 1-1/2" NPT male nickel plated reducer available. Specify number E30-7744.

Lever Twist Drain Repair Kit	
Model	Description
D10-0010	Includes one of each listed below
	Stopper "O" Ring, Neoprene
	Head Gasket for 3" Opening
	Head Gasket for 3-1/2" Opening
	E-Ring
	Rubber O-Ring
	Packing Nut Bushing
	Body Bushing (Lever Model)
	Slip Joint Washer

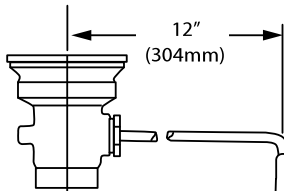
Universal S/S Drain Handle Support For Lever and Twist Handle Outlets	
Model	Gauge
D50-1000	14

- 300 Series S/S
- Satin finish
- Sturdy 14 gauge construction



Twist Handle Waste Outlets

- Trouble free fast drainage • Positive sealing action • Cast bronze body
- Snap-in stainless steel strainers • Self-centering face flanges • Stainless steel handle



Twist Handle Waste Outlets				
Model	Sink Opening Dia	NPS	Face Flange Dia	Strainer Type
D50-4161	3" (76mm)	1-1/2"	4" (102mm)	
D50-4160	3" (76mm)	2"	4" (102mm)	
D50-7100	3-1/2" (89mm)	1-1/2"	4-1/2" (114mm)	
D50-7200	3-1/2" (89mm)	2"	4-1/2" (114mm)	
D53-7100	3-1/2" (89mm)	1-1/2"	4-1/2" (114mm)	
D53-7200	3-1/2" (89mm)	2"	4-1/2" (114mm)	
Twist Handle Waste Outlet with Overflow Outlet				
D50-4151	3" (76mm)	1-1/2"	4" (102mm)	
D50-4150	3" (76mm)	2"	4" (102mm)	
D50-7110	3-1/2" (89mm)	1-1/2"	4-1/2" (114mm)	
D50-7210	3-1/2" (89mm)	2"	4-1/2" (114mm)	
D53-7110	3-1/2" (89mm)	1-1/2"	4-1/2" (114mm)	
D53-7210	3-1/2" (89mm)	2"	4-1/2" (114mm)	
Twist Handle Waste Outlet with Overflow Assembly				
D50-4591	3" (76mm)	1-1/2"	4" (102mm)	
D50-4590	3" (76mm)	2"	4" (102mm)	
D50-7115	3-1/2" (89mm)	1-1/2"	4-1/2" (114mm)	
D50-7215	3-1/2" (89mm)	2"	4-1/2" (114mm)	
D53-7115	3-1/2" (89mm)	1-1/2"	4-1/2" (114mm)	
D53-7215	3-1/2" (89mm)	2"	4-1/2" (114mm)	

NOTE: All sink contact components are stainless steel. All other components are nickel plated to match stainless steel.

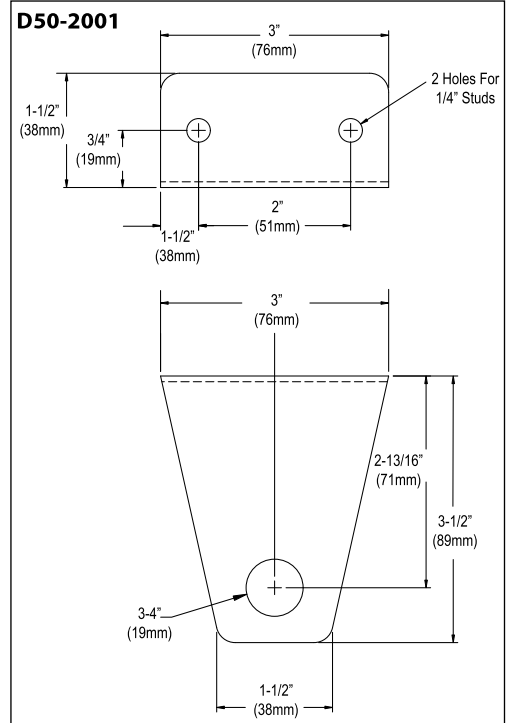
2" NPS female to 1-1/2" NPT male nickel plated reducer available. Specify number E30-7744.



Universal S/S Drain Handle Support For Twist Drain Outlets

Model	Gauge
D50-2001	14

- 300 Series S/S
- Satin finish
- Sturdy 14 gauge construction



Lever Twist Drain Repair Kit	
Model	Description
D10-0010	Includes one of each listed below
	Stopper "O" Ring, Neoprene
	Head Gasket for 3" Opening
	Head Gasket for 3-1/2" Opening
	E-Ring
	Rubber O-Ring
	Packing Nut Bushing
	Body Bushing (Lever Model)
	Slip Joint Washer

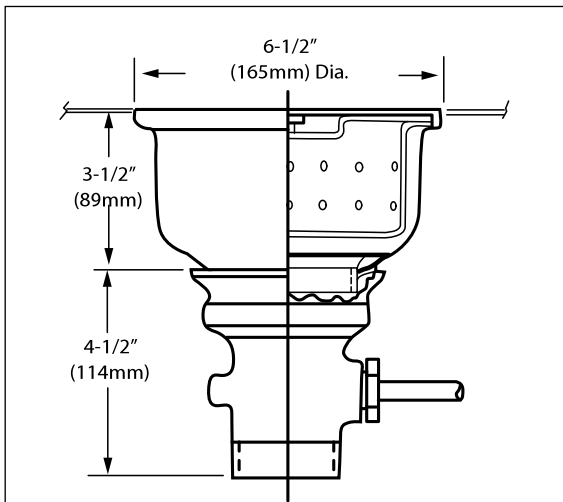
Box Pattern Drains Lever and Twist Handle Models

- Heavy duty stainless steel basket assembly
- Bronze, nickel plated, waste outlet • Multiple strainer • Removable basket



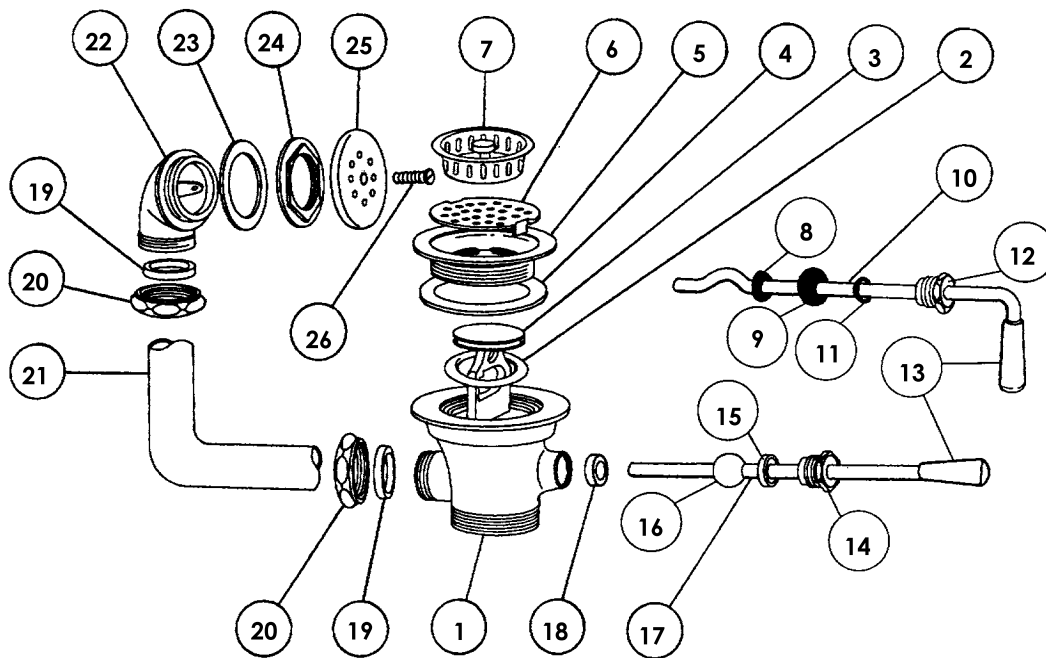
Lever Handle Box Pattern Drain		
Model	Sink Opening Dia	NPS
D23-4161	6-1/2" (165mm)	1-1/2" (38mm)
D23-4160	6-1/2" (165mm)	2" (51mm)
Lever Handle Box Pattern Drain w/Overflow Outlet		
D23-4151	6-1/2" (165mm)	1-1/2" (38mm)
D23-4150	6-1/2" (165mm)	2" (51mm)
Lever Handle Box Pattern Drain with Overflow Assembly		
D23-4591	6-1/2" (165mm)	1-1/2" (38mm)
D23-4590	6-1/2" (165mm)	2" (51mm)

Twist Handle Box Pattern Drain		
Model	Sink Opening Dia	NPS
D63-4161	6-1/2" (165mm)	1-1/2" (38mm)
D63-4160	6-1/2" (165mm)	2" (51mm)
Twist Handle Box Pattern Drain w/Overflow Outlet		
D63-4151	6-1/2" (165mm)	1-1/2" (38mm)
D63-4150	6-1/2" (165mm)	2" (51mm)
Twist Handle Box Pattern Drain with Overflow Assembly		
D63-4591	6-1/2" (165mm)	1-1/2" (38mm)
D63-4590	6-1/2" (165mm)	2" (51mm)

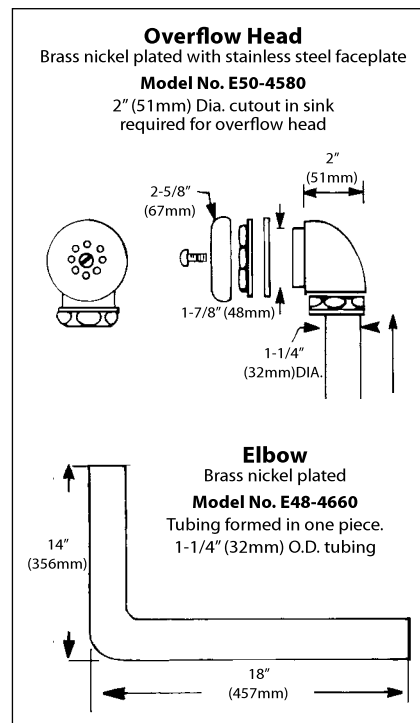


Lever Twist Drain Repair Kit	
Model	Description
D10-0010	Includes one of each listed below
	Stopper "O" Ring, Neoprene
	Head Gasket for 3" Opening
	Head Gasket for 3-1/2" Opening
	E-Ring
	Rubber O-Ring
	Packing Nut Bushing
	Body Bushing (Lever Model)
	Slip Joint Washer

Parts List for Lever and Twist Handle Outlets



Item No.	3" (76mm) Sink Opening Part No.	3-1/2" (89mm) Sink Opening Part No.	Description
1	D10-X001	D10-X002	1-1/2" NPS Waste Outlet Body Without Overflow Outlet (not shown)
1	D10-X003	D10-X004	2" NPS Waste Outlet Body Without Overflow Outlet (not shown)
1	D10-X005	D10-X006	1-1/2" NPS Waste Outlet Body With Overflow Outlet
1	D10-X007	D10-X008	2" NPS Waste Outlet Body With Overflow Outlet
2	D10-X021*	D10-X021*	Stopper "O" Ring, Neoprene
3	D10-Y001	D10-Y001	Stem Valve with "O-Ring"
4	D10-X009*	D10-X010*	Head Gasket
5	D10-X011	D10-X012	Face Flange, Stainless Steel
6	D10-X013	D10-X014	Flat Strainer, Stainless Steel
7	—	D13-0002	Crumb Cup Strainer, Stainless Steel
8	D50-X005*	D50-X005*	E-Ring
9	D50-X010	D50-X010	Washer
10	D50-0001	D50-0001	Twist Handle Assembly
11	D50-X007*	D50-X007*	Rubber O-Ring
12	D50-X006	D50-X006	Packing Nut (Brass) Twist Model
13	D10-X026	D10-X026	Black Thermoplastic Knob
14	D10-X029	D10-X029	Packing Nut (Brass) Lever Model
15	D10-X027*	D10-X027*	Packing Nut Bushing
16	D10-X030	D10-X030	Brass Ball
17	D10-0001	D10-0001	Lever Handle Assembly
18	D10-X025*	D10-X025*	Body Bushing (Lever Model)
19	D10-X022*	D10-X022*	Slip Joint Washer
20	D10-X023	D10-X023	Slip Joint Locknut
21	E48-4660	E48-4660	One Piece Overflow Elbow
22	E50-4580	E50-4580	Overflow Head for 1-1/4" (32mm) Tubing
23	E01-4091	E01-4091	Gasket
24	E02-4091	E02-4091	Flanged Locknut
25	E50-X003	E50-X003	Stainless Steel Strainer for Overflow Head
26	E50-X004	E50-X004	Strainer Mounting Screw



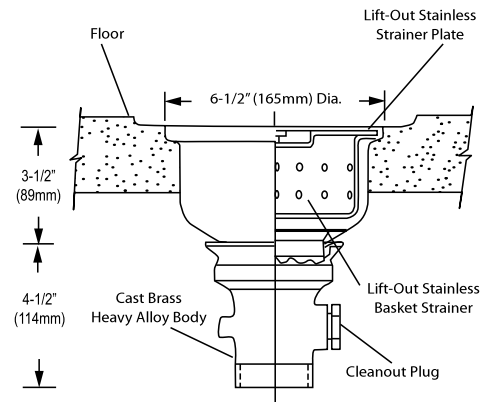
*Parts included in
Lever Twist Drain Repair Kit
show on pages 121-123

Special Purpose Drains



Floor Type Open Drain		
Model	Floor Opening Dia	NPS
D34-4161	6-1/2" (165mm)	1-1/2"
D34-4060	6-1/2" (165mm)	2"
D10-X001	1-1/2" Drain Body Only	
D10-X003	2" Drain Body Only	
D34-X001	Cleanout Plug	

- Cast bronze, nickel plated, waste outlet
- Heavy duty stainless steel basket assembly
 - Removable basket • Multiple strainer
 - Convenient cleanout plug



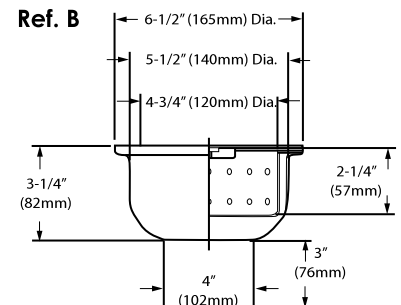
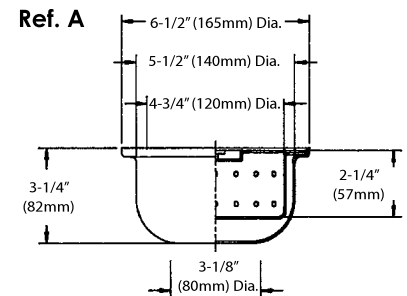
Free Flow Drain			
Model	Sink Opening Dia	NPS	Face Flange Dia.
D36-2080	3-1/8" (79mm)	2"	4-3/8" (111mm)

- Applications:** Mop sinks, autopsy tables, laboratory equipment, etc.
- Trouble free fast drainage
 - Cast bronze body, nickel plated
 - Snap-on stainless steel strainer
 - Self centering face flange



Stainless Steel Basket Assembly for Box Pattern Drains		
Model	Description	Ref.
D34-Y011	Without Hub Connection	A
D34-Y011-MM	With Welded Connection	B
D34-X017	Stainless Steel Cover	
D34-X016	Stainless Steel Strainer	
D34-X015	Stainless Steel Bowl	

- Applications:** Scullery sinks, floor troughs, kettle troughs, wash down troughs
- Heavy duty stainless steel basket assembly
 - Multiple strainer • Removable basket
 - Easy cleanout • Normal servicing prevents clogging and eliminates costly plumbing repairs




Lavatory Grid Drain	
Model	D83-4151-T
Chicago #327-XCP	



Lavatory Offset Grid Drain	
Model	D83-4152-9T

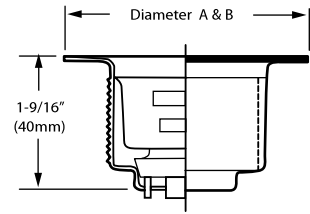
Basket Drains and Components



Stainless Steel Duo Mini Basket Drains with Combination Removable Crumb Cup Stopper				
Model	Sink Opening	NPS	Face Flange Dia	
E18-1824	1-7/8" (48mm)	1-1/2"	2-7/8" (73mm)	E18-1824-Q
E18-1822*	1-7/8" (48mm)	1-1/2"	2-7/8" (73mm)	E18-1822-Q
E18-1822-FL	1-7/8" (48mm)	1-1/2"	2-3/8" (60mm)	E18-1822-FLQ

* Furnished without crumb cup stopper/locknut and washer supplied (Brass locknut available on application).

- Locknut and washer supplied
- Brass locknut available upon application
- 7-1/2", 10" and 12" (190mm, 254mm and 305mm) high overflows available



Model	Diameter A
E18-1824	2-7/8" (73mm)
E18-1822	2-7/8" (73mm)

Model	Diameter B
E18-1822-FL	2-3/8" (60mm)




Replacement Crumb Cup	
Model	E18-1840



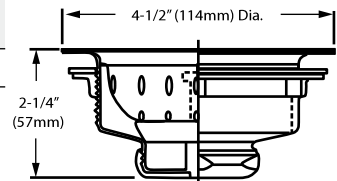
Flat Strainer	
Model	E18-1850




Stainless Steel Duo Basket Drains with Combination Removable Crumb Cup Stopper				
Model	Sink Opening	NPS	Face Flange Dia	
E38-1010*	3.5 (89mm)	1-1/2"	4-1/2" (114mm)	E38-1010-Q
E38-1012**	3.5 (89mm)	1-1/2"	4-1/2" (114mm)	E38-1012-Q
E38-1013***	3.5 (89mm)	1-1/2"	4-1/2" (114mm)	E38-1013-Q

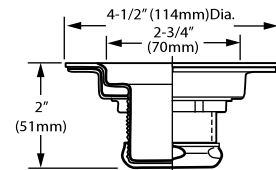
* Type 430 stainless steel, contains 16-18% chromium
 ** Type 18-8 stainless steel *** Type 316 stainless steel

- Coupling nut, gasket and sealing washer supplied
- Brass coupling nut available on application

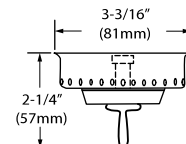


Stainless Steel Flat Strainer Drain for 3-12" to 4" (89mm - 102mm) Openings			
Model	Sink Opening	NPS	
E32-4900	3-1/2" - 4" (89mm - 102mm)	1-1/2"	E32-4900-Q

- Locknut, washer and coupling nut supplied



Stainless Steel Replacement Crumb Cup		
Model	Sink Opening	NPS
E38-4891	3-1/2" - 4" (89mm - 102mm)	1-1/2"



Sink Drains and Stoppers



Sink Drains, Brass Nickel Plated and ABS Thermoplastic					
Model No.	Size	Sink Opening DIA	Face Flange DIA	Length	Material
E16-4171	1/2" NPS*	15/16" (24mm)	1-1/4" (32mm)	2" (51mm)	Brass
E16-4172	1/2" NPS*	15/16" (24mm)	1-1/4" (32mm)	2" (51mm)	Brass N.P.
E16-4173	1/2" NPS*	15/16" (24mm)	1-1/4" (32mm)	3-1/2" (89mm)	Brass
E16-4174	1/2" NPS*	15/16" (24mm)	1-1/4" (32mm)	3-1/2" (89mm)	Brass N.P.
E16-4210	3/4" NPS	1-1/8" NPS	1-1/2" (38mm)	1-1/4" (32mm)	Brass
E16-3010+	1" NPS	1-3/8" (35mm)	2" (51mm)	1-1/2" (38mm)	Gray ABS
E16-4010	1" NPS	1-3/8" (35mm)	2" (51mm)	1-1/2" (38mm)	Brass
E16-4011	1" NPS	1-3/8" (35mm)	2" (51mm)	1-1/2" (38mm)	Brass N.P.
E16-3020+	1" NPS	1-3/8" (35mm)	2" (51mm)	2-7/8" (73mm)	Gray ABS
E16-4020	1" NPS	1-3/8" (35mm)	2" (51mm)	3-1/4" (82mm)	Brass
E16-4021	1" NPS	1-3/8" (35mm)	2" (51mm)	3-1/4" (82mm)	Brass N.P.
E16-4030	1" NPS	1-3/8" (35mm)	2" (51mm)	4" (102mm)	Brass
E16-4031	1" NPS	1-3/8" (35mm)	2" (51mm)	4" (102mm)	Brass N.P.
E16-4050	1-1/2" NPS	2" (51mm)	3" (76mm)	1-1/2" (38mm)	Brass
E16-4051	1-1/2" NPS	2" (51mm)	3" (76mm)	1-1/2" (38mm)	Brass N.P.
E16-4055	1-1/2" NPS	2" (51mm)	3" (76mm)	3" (76mm)	Brass
E16-4056	1-1/2" NPS	2" (51mm)	3" (76mm)	3" (76mm)	Brass N.P.
E16-4060	2" NPS*	2-1/2" (65mm)	3-1/2" (89mm)	2" (51mm)	Brass
E16-4061	2" NPS*	2-1/2" (65mm)	3-1/2" (89mm)	2" (51mm)	Brass N.P.

Note: + = Gray ABS Thermoplastic
 *2" (51mm) drains are furnished with locknut and washer.



Brass and Rubber Stoppers for 1" and 1-1/2" NPS Drains		
Model	Size	Material
E60-4081	1" NPS	Brass
E60-4082	1" NPS	Brass N.P.
E60-4083	1" NPS	Rubber
E60-4085	1-1/2" NPS	Brass N.P.
E60-4088	1-1/2" NPS	Brass



Stainless Steel Strainer for 3/4" (19mm) Sink Drain

Model E16-4200

Washers and Locknuts



Washers and Locknuts for 1", 1-1/2" and 2" NPS Drains					
Model	Size	Model	Size	Model	Size
Rubber Washers		Brass Locknuts		Flanged Locknuts Zinc	
E01-4090	1" NPS	E02-4090-BR	1" NPS	E02-4090	1" NPS
E01-4091	1-1/2" NPS	E02-4091-BR	1-1/2" NPS	E02-4091	1-1/2" NPS
E01-4092	2" NPS			E02-4092	2" NPS

Overflow Tubes, Nipples and Couplings

OVERFLOW TUBES



Brass Overflow Tubes 1" and 1-1/2" NPS Drains			
Model	Size	Length	Seat Material
E15-0222*	1" NPS	7" (178 mm)	PVC
E15-0220*	1" NPS	9" (229 mm)	PVC
E15-0240**	1-1/2" NPS	7-1/2" (190mm)	PVC
E15-0242**	1-1/2" NPS	10" (254mm)	PVC
E15-0244**	1-1/2" NPS	12" (305mm)	PVC

Notes:

*E15-0220 and E15-0222 are furnished with overflow strainer

**Will only fit model no. E18-1822 stainless steel drain



Brass Overflow Tubes 1" and 1-1/2" NPS Drains			
Model	Size	Length	Seat Material
E13-0240	1-1/2" NPS	7-1/2" (190mm)	Swedged
E13-0242	1-1/2" NPS	10" (254mm)	Swedged
E13-0244	1-1/2" NPS	12" (305mm)	Swedged

Notes:

All E13 series overflow tubes will only fit model no. E18-1822 Stainless steel drain

NIPPLES AND COUPLINGS

Type 304 Stainless Steel, Schedule 40

Model	Size
E19-0383	3/8" NPT x 3" (76mm)
E19-0384	3/8" NPT x 4" (102mm)
E19-0386	3/8" NPT x 6" (152mm)
E19-0123	1/2" NPT x 3" (76mm)
E19-0124	1/2" NPT x 4" (102mm)
E19-0126	1/2" NPT x 6" (152mm)
E19-0344	3/4" NPT x 4" (102mm)
E19-0346	3/4" NPT x 6" (152mm)
E19-0348	3/4" NPT x 8" (203mm)
E19-1003	1" NPT x 3" (76mm)
E19-1004	1" NPT x 4" (102mm)
E19-1006	1" NPT x 6" (152mm)
E19-1008	1" NPT x 8" (203mm)
E19-1123	1-1/2" NPT x 3" (76mm)
E19-1124	1-1/2" NPT x 4" (102mm)
E19-1126	1-1/2" NPT x 6" (152mm)
E19-2003	2" NPT x 3" (76mm)
E19-2004	2" NPT x 4" (102mm)
E19-1000	1" (25mm) Nipple Strainer

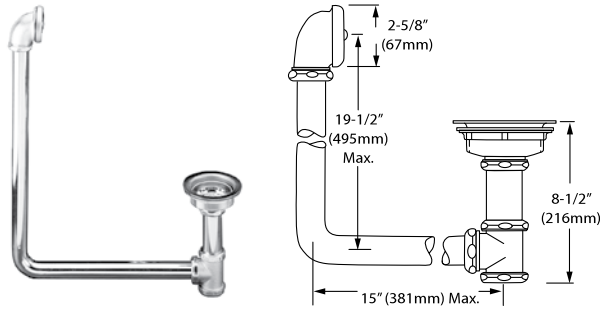


COUPLINGS

Type 304 Stainless Steel, Schedule 40

Model	Size
E20-0380	3/8" NPT
E20-0120	1/2" NPT
E20-0340	3/4" NPT
E20-1000	1" NPT
E20-1120	1-1/2" NPT
E20-2000	2" NPT

Overflow Drains and Components

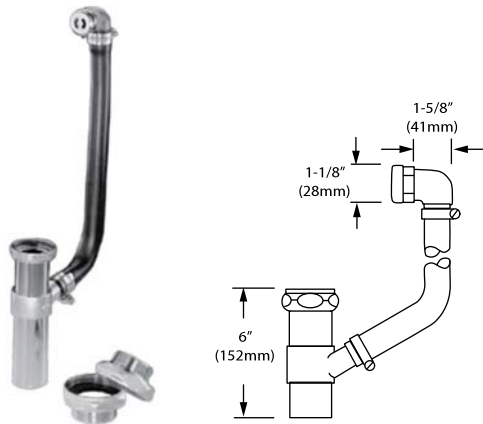


Stainless Steel Duo Basket Drains with Overflow Assembly

Model	Sink Opening	NPS	Face Flange Dia
E40-4890	3-1/2" (89mm)	1-1/2"	4-1/2" (114mm)
E40-4895*	3-1/2" (89mm)	1-1/2"	4-1/2" (114mm)

Note: Furnished with overflow, brass tubing, "T" joint, coupling nuts, gaskets and sealing washers.

* Type 18-8 stainless steel



Optional Overflow Assembly for 1-1/2" (38mm) Drains

Model	E51-1000
-------	----------

For use with lever/twist handle drains, basket drains and sink drains

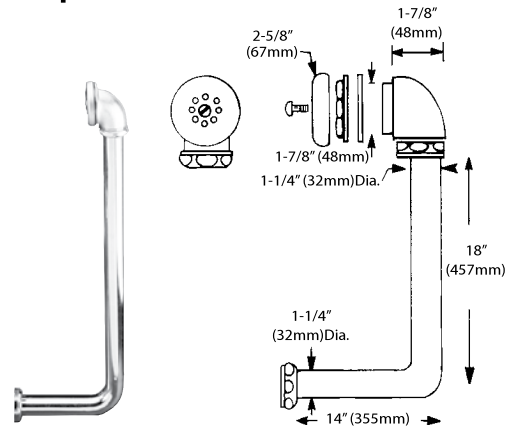
- Rubber O-ring • Economical • Easy installation
- Eliminates overflow tubes • Maximizes sink space

Overflow consists of nickel plated brass branch tailpiece sub assembly, (2) stainless steel clamps, 32" (815mm) long rubber hose and chrome plated ABS overflow head.



Optional Nickel Plated Brass Reducer

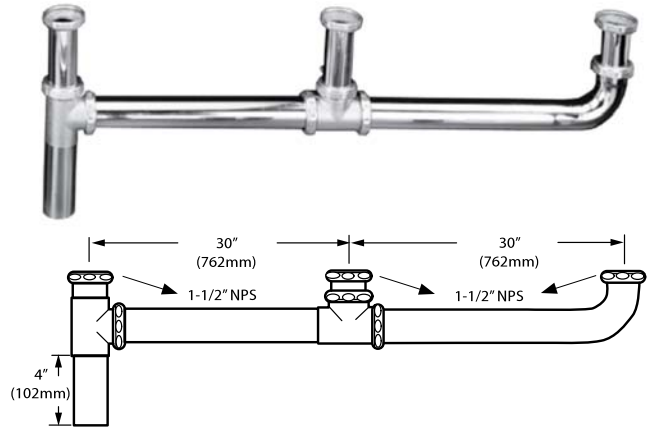
Model	Size
E30-7744	2" NPS Female to 1-1/2" NPT Male



Optional Overflow Assembly for Lever, Twist & Rotary Drains

Model	E50-1000
-------	----------

- Brass nickel plated w/stainless steel faceplate
- Brass nickel plated elbow 1-1/4" (32mm) O.D. tubing
- 1-5/16" (49mm) Dia. opening required slip fit for 1-1/4" (32mm) O.D. tubing



Universal Continuous Waste

Model	E30-7703
-------	----------

- Chrome plated brass • End outlet, 3 compartment



TAILPIECE ASSEMBLIES

Brass and Nickel Plated Brass for 1-1/2" (38mm) and 2" (51mm) Drains

Model	Size	Length	Material
E22-4070	1" NPS	2" (51mm)	Brass
E22-4071	1" NPS	2" (51mm)	Brass N.P.
E22-4120	1-1/2" NPS	4" (102mm)	Brass
E22-4121	1-1/2" NPS	4" (102mm)	Brass N.P.
E22-4130	2" NPS	4" (102mm)	Brass
E22-4131	2" NPS	4" (102mm)	Brass N.P.

Note: All tailpieces are furnished with gasket and slipnut