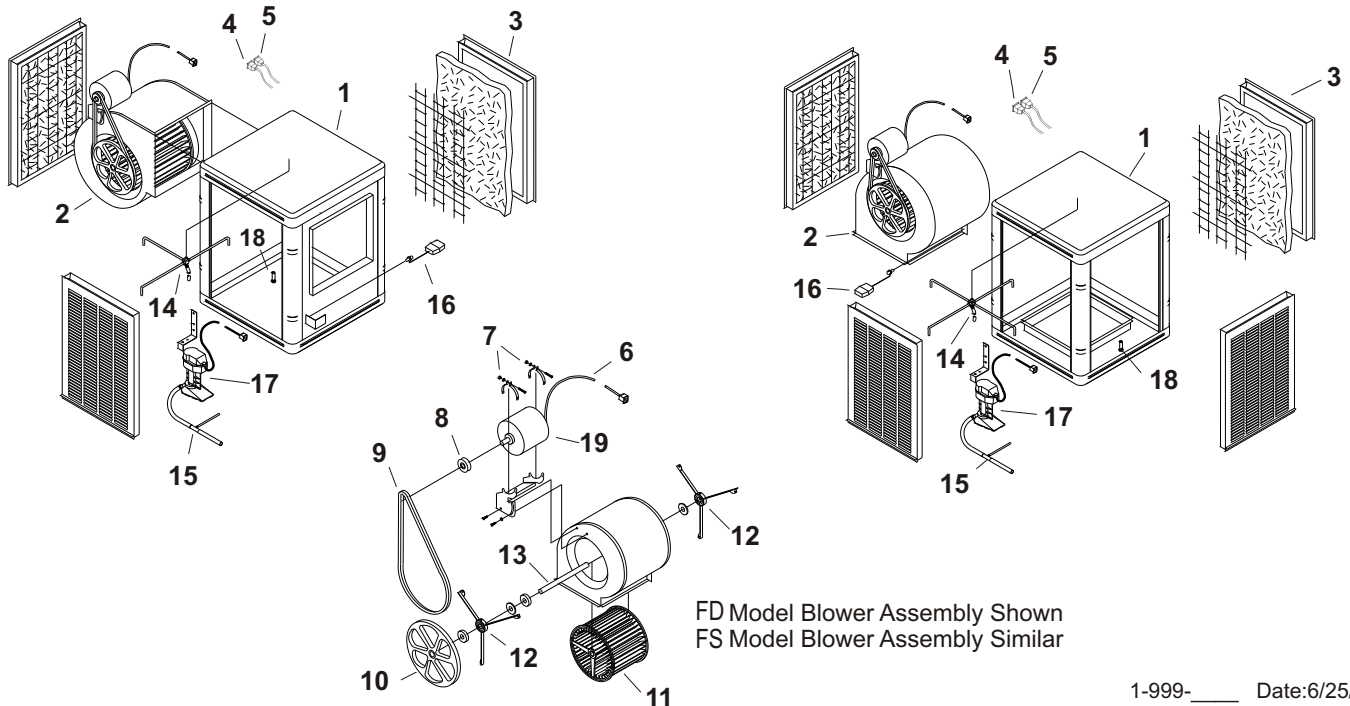


Frigiking Evaporative Cooler - Replacement Parts List

Frigiking Enfriador Evaporativo - Lista Reemplazo de Partes

	Replacement Part	Parte de Reemplazo	FS350A	FS450A	FS650A	FD350A	FD450A	FD650A
1	Cabinet Assembly	Ensamble del Gabinete	----	----	----	----	----	----
2	Blower Assy - Complete	Soplador Ensamble	5-3-44	5-3-46	5-3-48	5-3-43	5-3-45	5-3-47
3	Pad Frame Assembly	Ensamble del Filtro	5-2-8A	5-2-10A	5-2-11A	5-2-8A	5-2-10A	5-2-11A
4	Pump Receptacle - 115V Pump Receptacle - 230V	Receptáculo de Bomba - 115V Receptáculo de Bomba - 230V	5-7-6 5-7-59	5-7-6 5-7-59	5-7-6 5-7-59	5-7-6 5-7-59	5-7-6 5-7-59	5-7-6 5-7-59
5	Motor Cord Receptacle	Receptáculo de Motor Cerdón	5-7-5	5-7-5	5-7-5	5-7-5	5-7-5	5-7-5
6	Motor Cord - 115V Motor Cord - 230V	Cerdón de Motor - 115V Cerdón de Motor - 230V	5-7-58 5-7-57	5-7-58 5-7-57	5-7-58 5-7-57	5-7-58 5-7-57	5-7-58 5-7-57	5-7-58 5-7-57
7	Motor Mounting Clamps	Abrazaderas para el Motor	5-7-28	5-7-28	5-7-28	5-7-28	5-7-28	5-7-28
8	Motor Sheave Motor Sheave (3/4 Hp only)	Poleas Motriz Poleas Motriz (3/4 Hp solamente)	5-3-66 -----	5-3-66 -----	5-3-66 5-3-129	5-3-66 -----	5-3-66 -----	5-3-66 5-3-129
9	Belt	Banda	5-3-17	5-3-19	5-3-24	5-3-17	5-3-18	5-3-24
10	Blower Pulley	Polea Impulsa Turbina	5-3-59	5-3-58	5-3-60	5-3-59	5-3-58	5-3-60
11	Blower Wheel Assembly	Turbina	5-3-34	5-3-35	5-3-36	5-3-34	5-3-35	5-3-36
12	Bearing Assy (set of 2)	Chumaceras (juego de 2)	5-3-37	5-3-38	5-3-39	5-3-37	5-3-38	5-3-39
13	Shaft	Eje	5-3-1	5-3-2	5-3-3	5-3-1	5-3-2	5-3-3
14	Water Distributor Assy.	Distribuidor de Agua	5-6-187	5-6-197	5-6-197	5-6-181	5-6-194	5-6-194
15	Bleed off Tee & Hose	Adaptador de Sangría y Tubo	5-6-3	5-6-3	5-6-3	5-6-3	5-6-3	5-6-3
16	Float Valve Assembly	Ensamble Válvula con Floatdor	5-6-1	5-6-1	5-6-1	5-6-1	5-6-1	5-6-1
17	Pump w/ Basket, 115V Pump w/ Basket, 230V	Bomba con Filtro, 115V Bomba con Filtro, 230V	5-6-34 5-6-44	5-6-34 5-6-44	5-6-34 5-6-44	5-6-34 5-6-44	5-6-34 5-6-44	5-6-34 5-6-44
18	Overflow Standpipe	Tubo de Rebosadero	5-6-5	5-6-5	5-6-5	5-6-5	5-6-5	5-6-5
19	<u>Motor:</u> 115V, 1 Spd, 1/3 Hp 115V, 2 Spd, 1/3 Hp 115V, 1 Spd, 1/2 Hp 115V, 2 Spd, 1/2 Hp 230V, 1 Spd, 1/2 Hp 230V, 2 Spd, 1/2 Hp 115V, 1 Spd, 3/4 Hp 115V, 2 Spd, 3/4 Hp 230V, 1 Spd, 3/4 Hp 230V, 2 Spd, 3/4 Hp	<u>Motor:</u> 115V, 1 Spd, 1/3 Hp 115V, 2 Spd, 1/3 Hp 115V, 1 Spd, 1/2 Hp 115V, 2 Spd, 1/2 Hp 230V, 1 Spd, 1/2 Hp 230V, 2 Spd, 1/2 Hp 115V, 1 Spd, 3/4 Hp 115V, 2 Spd, 3/4 Hp 230V, 1 Spd, 3/4 Hp 230V, 2 Spd, 3/4 Hp	MK21C MK22C ----- ----- ----- ----- ----- ----- ----- ----- ----- ----- ----- ----- ----- -----	MK21C MK22C MK31C MK32C MK34C MK35C ----- ----- ----- ----- ----- ----- ----- ----- -----	----- ----- MK31C MK32C MK34C MK35C MK41C MK42C MK44C MK45C	MK21C MK22C ----- ----- MK34C ----- ----- ----- ----- ----- ----- ----- ----- ----- ----- -----	MK21C MK22C MK31C MK32C MK34C MK35C ----- ----- ----- ----- ----- ----- ----- ----- -----	----- ----- MK31C MK32C MK34C MK35C MK41C MK42C MK44C MK45C



1-999-____ Date:6/25/2007