



ALX-UB SERIES - UPBLAST BELT DRIVE SPUN ALUMINUM EXHAUSTERS

Ideal for exhausting air from restaurants, offices, warehouses or commercial buildings. The ALX series spun aluminum exhaust fan can be used as either a roof top or wall mount exhaust fan.

Now stocked (or 3-5 day lead time) complete with pre-set motor and drives using adjustable motor pulley for field adjustment!

For Performance Specifications please see next page.



FEATURES

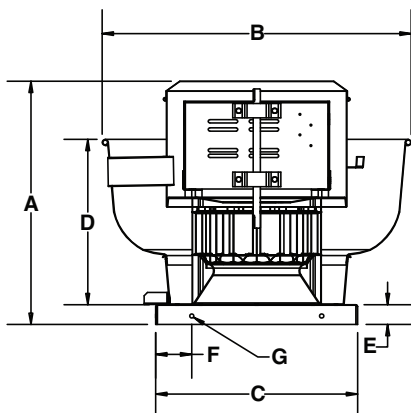
- Spun aluminum housing will not rust, chip or peel.
- Aluminum backward inclined wheel is non-overloading.
- Belt drive.
- Available with a variety of field or factory installed 1 phase & 3 phase motors.
- Units up to 24" can be wall mounted.
- Quick release latches for easy motor access.

DIMENSIONS

NOTE: DUE TO MOTOR MANUFACTURERS VARIANCES IN DESIGN, PLEASE SEE USER MANUAL FOR MOTOR DIMENSIONAL GUIDELINES.

MODEL	DIMENSIONS (INCHES)											Net Weight (Without Motors)
	A	B	C	C2	D	E	F	G	Ø	Shaft Size	Wheel Diameter	
ALX135-UB	25.25	32.13	21.00	24.75	17.13	2.00	3.75	0.44	3/4"	13.50	17.00	43 lbs
ALX150-UB	26.13	32.13	21.00	24.75	17.13	2.00	3.75	0.44	3/4"	15.00	17.00	45 lbs
ALX165-UB	31.13	37.50	24.75	28.00	21.13	2.00	4.00	0.44	3/4"	16.50	20.75	108 lbs
ALX180-UB	31.75	37.50	28.00	24.75	21.13	2.00	4.00	0.44	3/4"	18.25	20.75	116 lbs
ALX210-UB	36.25	43.75	33.13	40.00	25.50	2.50	4.00	0.44	1"	21.00	29.00	178 lbs
ALX245-UB	37.00	43.75	33.13	40.00	25.50	2.50	4.00	0.44	1"	24.50	29.00	183 lbs
ALX300-UB	40.00	52.75	40.00	-	33.50	2.00	-	-	1 3/16"	30.00	36.00	410 lbs
ALX360-UB	45.56	63.44	44.00	-	43.44	2.00	-	-	1 3/16"	36.00	40.00	470 lbs

Note: Net weights for belt drive units do not include motor & drives.



QUICK RELEASE LATCHES FOR EASY MOTOR ACCESS

OPTIONS

- Motorized damper (UL705 models only)
- Gravity (automatic) damper (UL705 models only)
- Wall mount bracket (for all sizes up to 24")
- Bird screen (UL705 only)
- Grease collection box (required for UL762)
- Curb hinge
- Disconnect switches
- VFD's for 3 phase motors
- Roof curbs
- Other base (curb cap) options available. See C2 in dimensions table.

DISCONNECT SWITCHES

- Wire disconnect switches are available. See Controls & Thermostats section for details.



UL762 certified, refer to our UL762 Catalogue page C in Roof Mount Ventilation for all installation requirements



Canarm certifies that the ALX-UB Series shown herein are licensed to bear the AMCA Seal. The ratings shown are based on tests and procedures performed in accordance with AMCA Publications 211 & 311 and comply with the requirements of the AMCA Certified Ratings Programme.



ALX-UB SERIES - UPBLAST BELT DRIVE SPUN ALUMINUM EXHAUSTERS

PERFORMANCE SPECIFICATIONS

ALX UB WITH MOTORS & DRIVES and wired disconnect

		Values @ 0.5" SP														
Single	Three Phase	RPM Range	HP	RPM	BHP	Sones	0	0.125	0.25	0.375	0.5	0.75	1	1.25	1.5	1.75
ALX135UBT10025**		862-1293	1/4	1078	0.15	8.6	1204	1133	1053	970	870	-	-	-	-	-
ALX135UBT10033**		932-1398	1/3	1260	0.24	12.8	1405	1348	1284	1220	1143	964	-	-	-	-
ALX135UBT10050**		1122 - 1552	1/2	1458	0.36	16.5	1629	1581	1523	1466	1405	1274	1124	-	-	-
ALX150UBT10050**		932-1398	1/2	1288	0.41	20	1901	1849	1801	1738	1666	1470	1239	-	-	-
ALX150UBT10075**		1078-1617	3/4	1528	0.67	27	2261	2218	2175	2132	2079	1949	1786	1599	1364	-
ALX150UBT10100	ALX150UBT30100*	1341-1820	1	1653	0.85	31	2443	2405	2367	2328	2280	2175	2040	1877	1705	1489
ALX165UBT10100	ALX165UBT30100*	1097-1489	1	1323	0.66	21	2598	2554	2471	2419	2350	2170	1954	1709	-	-
ALX165UBT10150	ALX165UBT30150*	1254-1646	1.5	1554	1.03	26	3050	3006	2929	2903	2847	2724	2576	2391	2192	-
ALX180UBT10100	ALX180UBT30100*	980-1293	1	1241	0.95	25	3504	3416	3327	3217	3114	2871	2584	2261	-	-
ALX180UBT10200	ALX180UBT30200*	1097-1489	2	1403	1.35	30	3967	3886	3805	3717	3636	3438	3202	2952	2673	2342
ALX210UBT10150	ALX210UBT30150*	862-1132	1.5	1017	1.38	21	4792	4640	4488	4336	4152	3761	3321	2705	-	-
ALX245UBT10150	ALX245UBT30150*	673-889	1.5	790	1.22	18.9	5668	5450	5208	4955	4655	3907	2998	-	-	-
ALX245UBT10200	ALX245UBT30200*	745-979	2	862	1.58	22	6186	5968	5772	5542	5289	4678	3930	2975	-	-
ALX245UBT10300	ALX245UBT30300*	862-1132	3	964	2.20	28	6913	6738	6562	6338	6146	5666	5075	4403	3588	-

** 115V only. All other motors will be wired at high voltage.

*For three phase motors, substitute “**” with “M” for 230/460 volt (wired for 460V) or “P” for 575 volt

UL705 = 1Ø Only

ALX UB WITHOUT MOTORS & DRIVES

	MODEL	MIN HP	MAX HP	MAX RPM	TYPICAL MAXIMUM CFM @ SP								
					0"	0.25"	0.5"	0.75"	1"	1.25"	1.5"	2"	2.25"
Use Delair to price with motors and drives	ALX135-UB	1/4	3/4	1800	2009	1900	1800	1700	1600	1500	1400	-	-
	ALX150-UB	1/4	1.5	1800	2700	2600	2500	2400	2300	2200	2000	1700	-
	ALX165-UB	1/4	2	1800	3600	3500	3400	3300	3200	3000	2900	2600	2400
	ALX180-UB	1/4	2	1500	4200	4100	3900	3800	3600	3300	3100	2500	1700
	ALX210-UB	1/2	3	1300	6100	5900	5700	5400	5100	4800	4400	3600	2900
	ALX245-UB	1/2	5	1200	8600	8300	8000	7700	7300	6900	6400	5300	4700
	ALX300-UB	3/4	5*	950	12000	11500	11000	10300	9800	9000	8250	7000	6000
	ALX360-UB	3/4	7.5*	850	22000	20500	20000	19250	18500	17000	16000	14000	12500

Consult our Delair fan selection software for fan curves and performance data. Download Delair at www.canarm.com/delair

* Motor adaptor plate required for 3HP+

UL762 LISTED PRODUCTS AND REQUIREMENTS

(Kitchen Exhaust)



WHAT IS UL762?

Power ventilators for restaurant exhaust appliances covered by these requirements are intended for installation in accordance with the Standard of the National Fire Protection Association for the Installation of Equipment for the Removal of Smoke and Grease-Laden Vapors from Commercial Cooking Equipment, NFPA 96.

Power ventilators for restaurant appliances shall comply with the Standard for Power Ventilators, UL 705, modified in that wiring system shall not be located in the path of travel of exhaust products.

REQUIREMENTS

REQUIREMENT	ALX SERIES***		BI-RM		HRE	
	STANDARD	ACCESSORY	STANDARD	ACCESSORY	STANDARD	ACCESSORY
Designed for removal of smoke and/or grease laden air	●		●		●	
Air temperatures up to 300°F	●		●		●	
Access for cleanout	●		●		●	
Grease drain	●		●		●	
Grease collection box		●		●		●
Minimum 500 FPM airflow in duct**	●		●		●	
Vented roof curb extending discharge minimum 40" above roofline		●		N/A*		●
Curb hinge		●		N/A		●

* must be mounted to extend outlet minimum 40" above roofline

** based on standard Canarm configurations with Motors and Drives, LMLD models must refer to Delair for minimum RPM to reach 500 FPM

*** only upblast ALX can be UL762

ALX090-UD (UL705 only)

UL762 LISTED PRODUCTS



ALX SERIES (upblast models only)



BI-RM SERIES



HRE SERIES