



Factory Authorized Restaurant Distributor



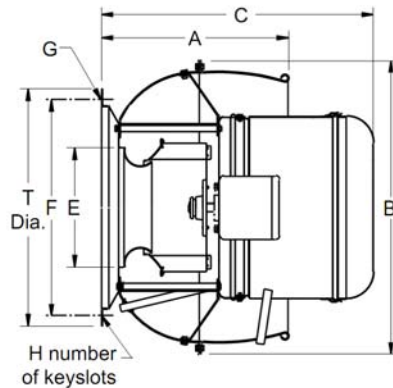
**COOK**



Loren Cook Company certifies that the ACWD, ACWD-HP and ACWD-XP shown herein are licensed to bear the AMCA Seal. The ratings shown are based on tests and procedures performed in accordance with AMCA Publication 211 and AMCA Publication 311 and comply with the requirements of the AMCA Certified Ratings Program.



Type ACWD, ACWD-HP and ACWD-XP are furnished standard with UL 705 and cUL 705 listings (Power Ventilator/ZACT).



**ACWD Dimension Data**

Size	A	B	C			E		F	G	H	T Dia.	Ship. Wt.
			ACWD	ACWD-HP	ACWD-XP	Wall Opening						
						Square	Round					
70	12-1/8	17-1/8	13	-	-	8	8	14-1/4	3/8	4	15-1/2	20
90	14-7/8	21-1/8	16	-	-	10	10	19-3/4	3/8	4	21-1/4	28
100	14-7/8	21-1/8	16	-	-	10	10	19-3/4	3/8	4	21-1/4	30
120	18-7/16	30-3/16	28-1/4	-	-	12	12	23-1/2	3/8	4	25	67
135	18-7/16	30-3/16	28-3/4	-	-	12	12	23-1/2	3/8	4	25	72
150	20-1/16	34-11/16	30-3/8	27-5/8	-	16	14	28-1/2	3/8	8	30	87
165	20-1/16	34-11/16	30-7/8	27-7/8	26-13/16	16	14	28-1/2	3/8	8	30	90
180	22-11/16	39-7/16	35-5/8	33-1/8	31-5/16	20	18	34-1/2	3/8	8	36	102
195	22-11/16	39-7/16	-	33-1/4	31-7/8	20	22	34-1/2	3/8	8	36	110

All dimensions in inches. Weights in pounds.

Catalog Number	Mtr. HP	Fan RPM	Tip Speed	Max. Watts	0.000" SP		0.125" SP		0.250" SP		0.375" SP		0.500" SP		0.625" SP		0.750" SP		0.875" SP		1.000" SP		1.250" SP		1.500" SP									
					Sone	BHP	Sone	BHP	Sone	BHP	Sone	BHP	Sone	BHP	Sone	BHP	Sone	BHP	Sone	BHP	Sone	BHP	Sone	BHP	Sone	BHP	Sone	BHP	Sone	BHP				
70W10DL	1/25	1160	2123	72	100		56																											
70W10DM		1150	2105	75	3.4	3.6	145	76																										
70W10DH	1/20	1050	1922	80	194		89																											
70W15DL		1720	3112	86	5.0	4.9	149 117		94																									
70W15DM	1/20	1680	3057	92	5.5	5.4	211	169	116																									
70W15DH		1550	2837	92	6.6	5.9	274	210	151																									
90W10DL	1/25	1130	2655	80	306		241		167																									
90W10DM		1110	2596	85	4.6	4.2	391	299	184																									
90W10DH	1/8	1050	2478	85	5.2	4.8	470	353	201																									
90W15DL		1710	4047	95	4.4	4.3	462	422	383	340	297	246	168																					
90W15DM	1/8	1680	3841	118	8.4	8.1	584	526	467	405	325	242	172																					
90W10DH		1550	3658	132	9.9	9.7	696	616	533	456	384	263	166																					
100W10DL	1/25	1100	2882	89	7.8	7.8	370 304		227																									
100W10DM		1090	2817	90	6.1	5.9	435	358	256	124																								
100W10DH	1/8	1050	2751	94	6.1	5.8	554	424	261																									
100W15DL		1650	4362	130	6.6	6.9	549	509	468	424	376	320	254	177																				
100W15DM	1/8	1640	4258	139	10.0	9.7	656	591	537	477	415	346	271	173																				
100W15DH		1550	4061	169	10.6	10.3	816	727	641	554	449	372	240																					
120W10D	1/6	1075	3376	-	9.6	9.5	1095 998		892		779																							
120W11D	1/6	1140	3581	-	7.6	.08	7.6	.09	7.1	.09	6.5	.09	733																					
120W13D	1/4*	1300	4084	-	8.7	.09	8.7	.10	8.3	.11	7.7	.11	7.1	.11																				
120W15D		1550	4869	-	11.4	.14	11.4	.15	11.1	.16	10.6	.16	10.0	.16	9.4	.16	867																	
120W17D	1/3	1725	5417	-	14.9	.24	14.9	.25	14.9	.26	14.5	.26	14.2	.27	13.9	.27	13.5	.28	13.2	.28	13.0	.27	946											
135W10D	1/6	1075	3795	-	17.6	.33	17.6	.34	17.6	.35	17.4	.36	17.1	.37	16.7	.37	16.4	.37	16.1	.38	15.8	.38	15.2	.36										
135W11D	1/6	1140	4029	-	9.6	.14	9.6	.15	9.2	.16	8.6	.16	8.0	.16	1140	1325																		
135W13D	1/2*	1300	4595	-	17.6	.33	17.6	.34	17.6	.35	17.4	.36	17.1	.37	16.7	.37	16.4	.37	16.1	.38	15.8	.38	15.2	.36										
135W15D		1550	5478	-	11.2	.16	11.2	.18	10.9	.18	10.3	.19	9.7	.19	9.1	.19	9.7	.19	9.7	.19	1152													
135W17D	3/4	1725	6089	-	2002	1915	1827	1736	1640	1535	1640	1152																						
					2387	2315	2241	2167	2091	2012	2091	1841	1736	1358																				
					19.0	.41	19.0	.43	19.0	.44	18.8	.46	18.4	.47	18.1	.47	18.4	.47	17.5	.48	17.1	.48	16.5	.45										
					2657	2592	2526	2459	2392	2323	2253	2180	2103	1922	1614																			
					23	.56	23	.58	23	.60	23	.62	23	.63	23	.64	22	.65	22	.65	22	.65	21	.67	21	.64								

Performance certified is for Installation Type A: free inlet, free outlet. Performance ratings do not include the effects of appurtenances (accessories) in the airstream. Speed (RPM) shown for models 70 - 100 is nominal. Performance is based on actual speed of test. Speed (RPM) for all other models is constant and based on actual speed of test. The sound ratings shown are loudness values in fan sones at 5 ft. (1.5m) in a hemispherical free field calculated per AMCA Standard 301. Values shown are for Installation Type A: free inlet fan sone levels. \*Motor is a 2-speed 1300/1500 RPM motor.