



Factory Authorized Restaurant Distributor



Loren Cook Company certifies that the ACED shown herein is licensed to bear the AMCA Seal. The ratings shown are based on tests and procedures performed in accordance with AMCA Publication 211 and AMCA Publication 311 and comply with the requirements of the AMCA Certified Ratings Program.



COOK



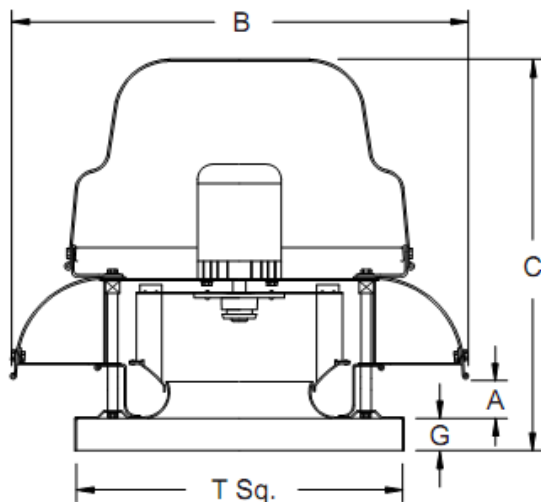
Type ACED is furnished standard with UL 705 and cUL 705 listings (Power Ventilator/ZACT).

ACED Dimension Data

Size	A	B	C	G	T Sq.	Roof Opening Square*	Ship. Wt.
70	1-3/4	13-5/8	13-13/16	2	18	13-1/2	20
90	2-1/2	18-3/4	16-13/16	2	18	13-1/2	28
100	2-1/2	18-3/4	16-13/16	2	18	13-1/2	30
120	1-7/16	28-7/16	26-9/16	2	20	15-1/2	67
135	1-15/16	28-7/16	27-1/16	2	20	15-1/2	72
150	2-13/16	32-7/8	28-11/16	2	24	19-1/2	87
165	3-5/16	32-7/8	29-3/16	2	24	19-1/2	90
180	3-5/16	37-11/16	33-15/16	3	30	25-1/2	102

All dimensions in inches. *Roof opening size for curbs supplied by Loren Cook Company only. Weights in pounds.

Sizes 70 - 100



Sizes 120 - 180

