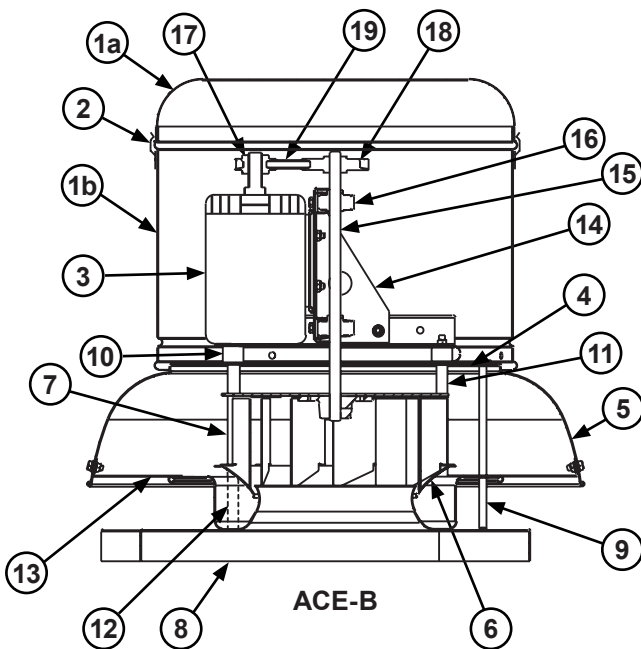


ACE-B Parts Breakdown



Item #	ACE-B Parts Description			
	60-100	120-245	270-300	330-540
1a	Top Cap Lid	Top Cap Lid	Top Cap Lid	Top Cap Lid
1b	Top Cap Cylinder	Top Cap Cylinder	Top Cap Cylinder	Top Cap Cylinder
2	Top Cap Clip (4)	Top Cap Clip (4)	Top Cap Clip (8)	Top Cap Clip (8)
3	Motor	Motor	Motor	Motor
4	-	Motor Plate	Motor Plate	Motor Plate
5	Baffle	Baffle	Baffle	Baffle
6	Wheel Assembly	Wheel Assembly	Wheel Assembly	Wheel Assembly
7	Bird Screen	Bird Screen	Bird Screen	Bird Screen
8	Base	Base	Base	Base
9	Conduit	Conduit	Conduit	Conduit
10	Spacer (4)	Spacer (4)	Spacer (4)	Spacer (4)
11	Upper Post (4)	Upper Post (4)	Upper Post (8)	Upper Post (8)
12	Lower Post (4)	Lower Post (4)	Lower Post (8)	Lower Post (8)
13	-	-	-	Brace (8)
14	Power Assembly	Power Assembly	Power Assembly	Power Assembly
15	Shaft	Shaft	Shaft	Shaft
16	Bearing	Bearing	Bearing	Bearing
17	Drive Sheave	Drive Sheave	Drive Sheave	Drive Sheave
18	Driven Sheave	Driven Sheave	Driven Sheave	Driven Sheave
19	Belt Set	Belt Set	Belt Set	Belt Set